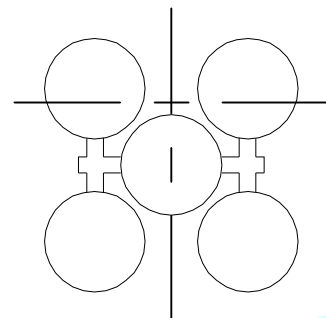
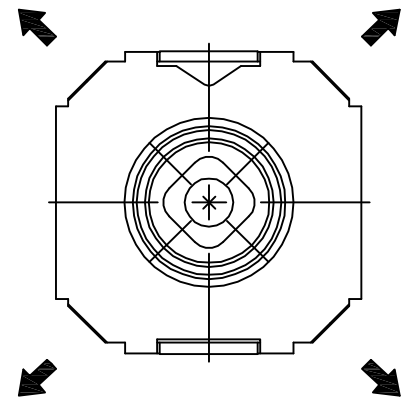
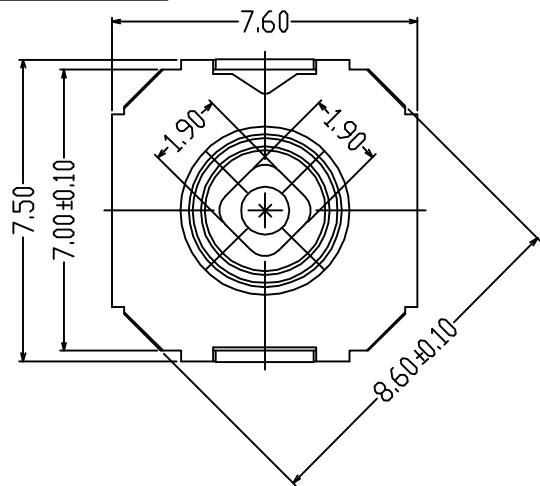
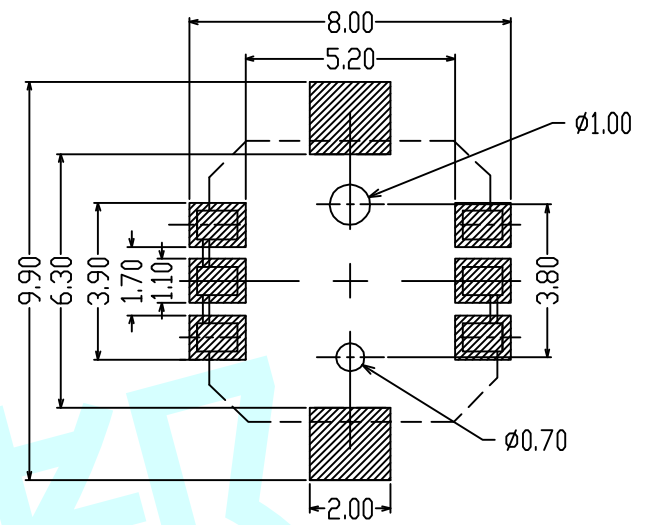


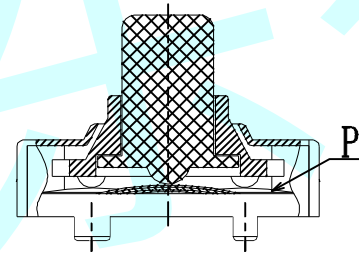
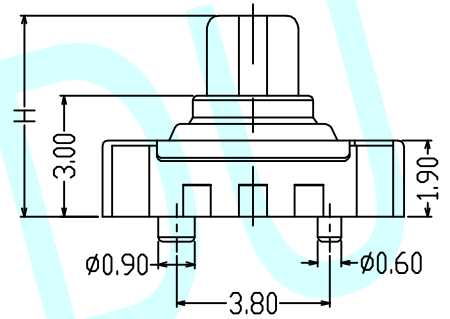
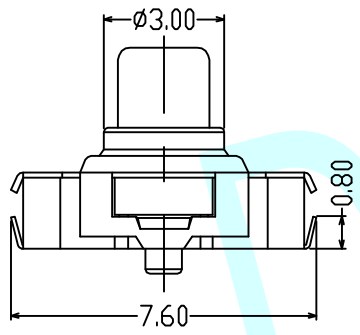
ROHS



P视图



PCB Layout (Pattern Side)

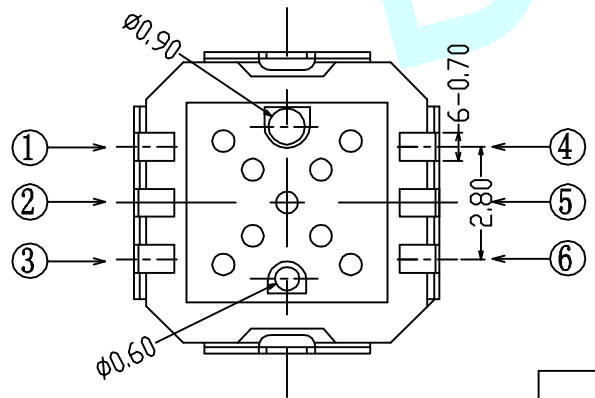


Circuit Diagram

Terminal	1	2	3	4	5	6
Direction						
↓		●			●	
↖	●				●	
↗				●	●	
↙			●		●	
↘					●	●

NOTES:

1. Rating: DC 12V 100mA
2. Contact resistance: 100mΩ MAX
3. Insulation resistance: 100MΩ MIN
4. Service life: 100,000 cycles
5. Operating temperature: -25 °C ~ +85 °C
6. Using humidity: ≤85% RH
7. Operating power: 180/250 ± 30gf



H	5.00	6.00
---	------	------

APPROVALS		DATE	http://www.dongdudz.com	
DRAW:	ZRD	2017-12-6	TOLERANCE:	ANGLE:
CHECKED:	***	****	30≥ ±0.30	±2°
APPOVALS:	***	****	10~30 ±0.20	
			5~10 ±0.15	
			≤5 ±0.10	

东都电子
DONGDU ELECTRONICS

MODEL: ROCKER SWITCH
PART NO: DDU-1202
UNIT :mm SCALE: 1:1