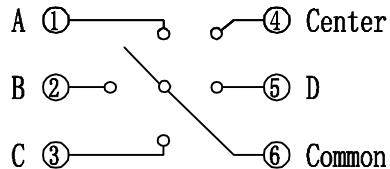
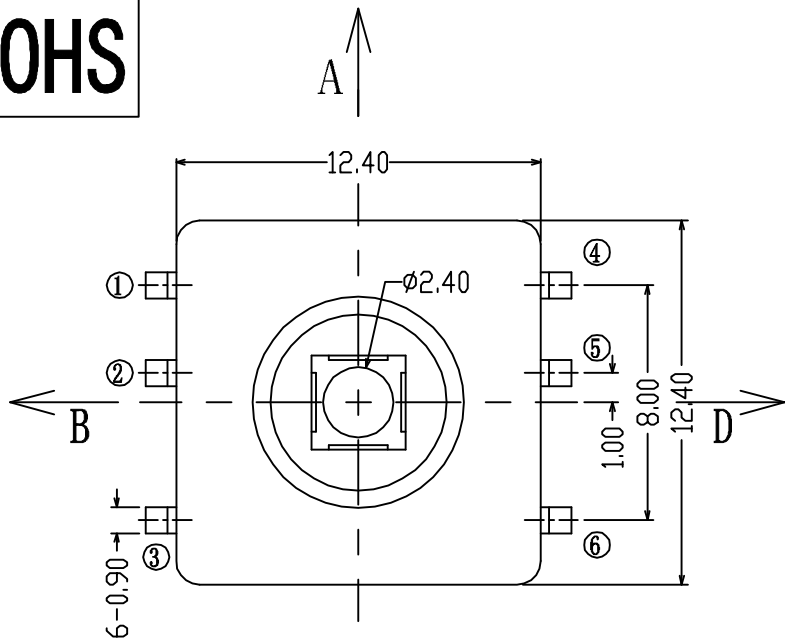
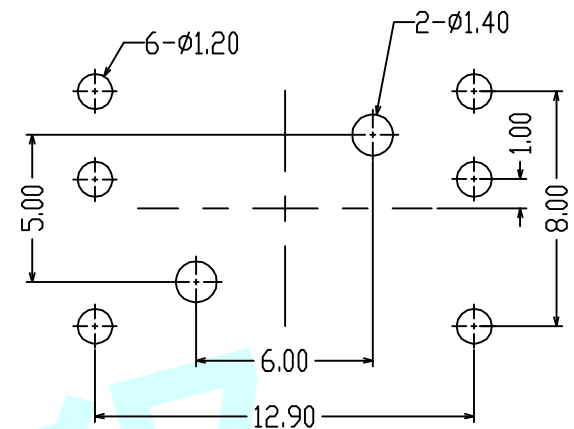


ROHS



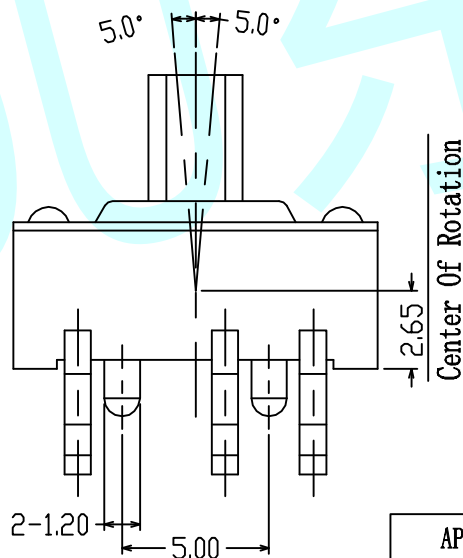
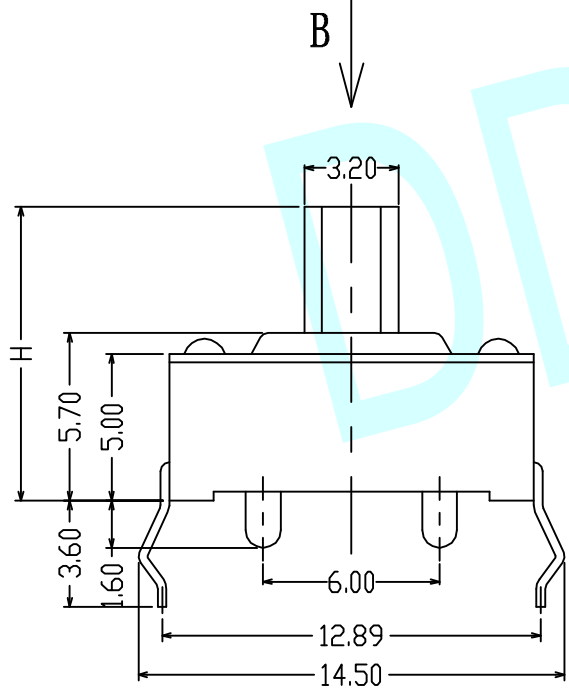
Circuit Diagram (TOP View)




PCB Layout (Pattern Side)

NOTES:

1. Rating: DC 12V 50mA
2. Contact resistance: 100mΩ MAX
3. Insulation resistance: 100MΩ MIN
4. Service life: 100,000 cycles
5. Operating temperature: -25 °C ~ +85 °C
6. Using humidity: ≤ 85% RH
7. Operating power: 250 ± 50gf



		H	7.00	8.00	9.00	10.00	11.00		
APPROVALS		DATE	http://www.dongdudz.com		 东都电子 DONGDU ELECTRONICS				
DRAW:	ZRD	2017-12-6	TOLERANCE:					ANGLE:	
CHECKED:	***	****	30 ≥	±0.30				±2°	
APPOVALS:	***	****	10°30	±0.20					
			5°10	±0.15	MODL: ROCKER SWITCH PART NO: DDU-1205 UNIT :mm SCALE: 1:1				
			≤5	±0.10	REV: A PAGE: 1/1				