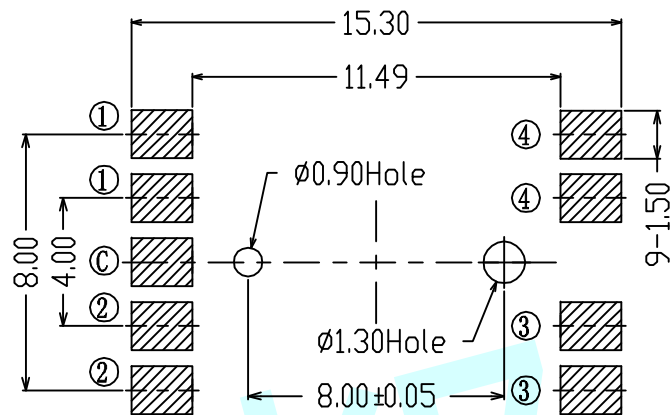
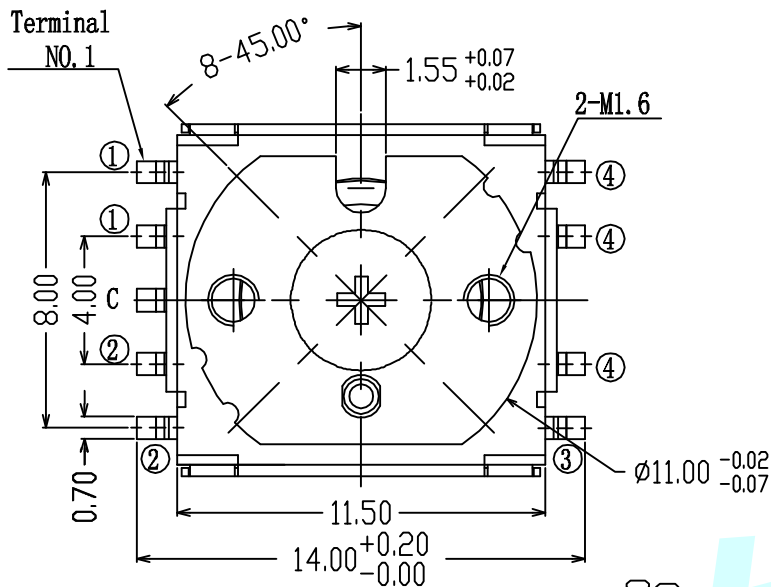
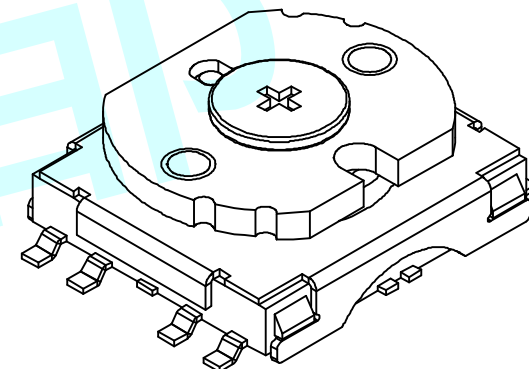
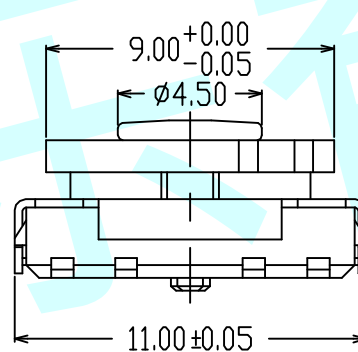
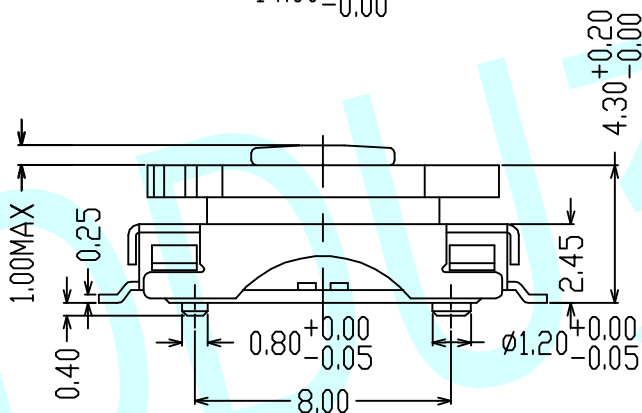


**ROHS**

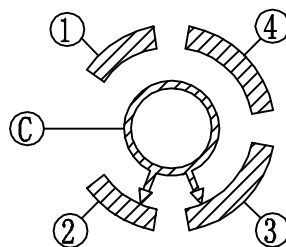


PCB Layout (Pattern Side)




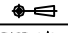
**NOTES:**

1. Rating: DC 15V 100mA
2. Contact resistance: 100mΩ MAX
3. Insulation resistance: 100MΩ MIN
4. Service life: 100,000 cycles
5. Operating temperature: -25 °C ~ +85 °C
6. Using humidity: ≤85% RH
7. Operating power: 180 ± 30gf



Circuit Diagram

Terminal	Direction							
	1	2	3	4	5	6	7	8
C1					●	●		
C2	●							●
C3	●	●						
C4			●	●	●			

APPROVALS		DATE	http://www.dongdudz.com		 <b>东都电子</b> DONGDU ELECTRONICS		
DRAW:	ZRD	2017-12-6	TOLERANCE:	ANGLE:			
CHECKED:	***	****	30 ≥ ±0.30	±2°	MODEL:	ROCKER SWITCH	
APPOVALS:	***	****	10~30 ±0.20		PART NO:	DDU-1204	
			5~10 ±0.15		UNIT :mm	SCALE: 1:1	
			≤5 ±0.10		REV:	A	PAGE: 1/1