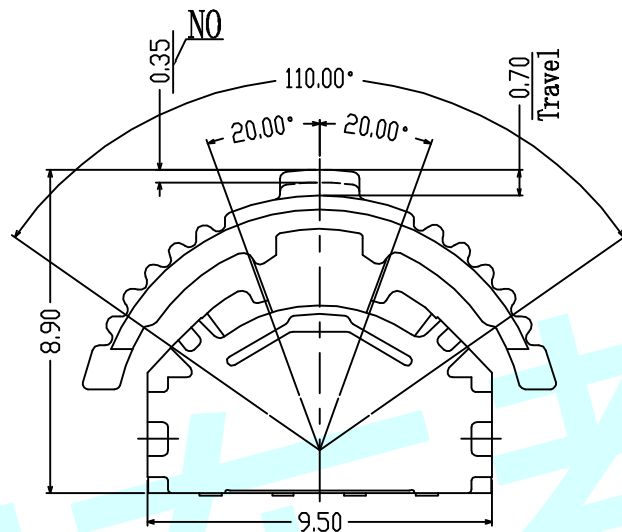
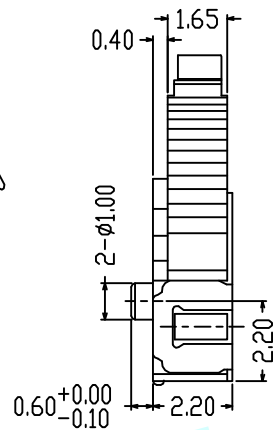
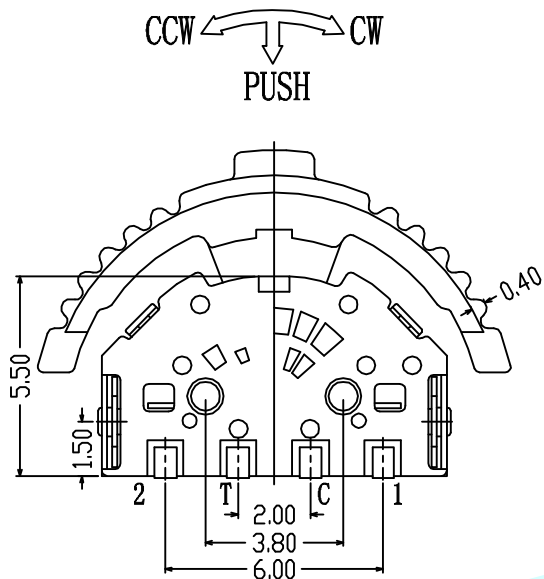


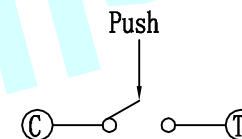
ROHS



TER	0° (NO)			
	ANG. (20°)	(15°)	(15°)	(20°)
①				
②				
③				

CCW ← → CW

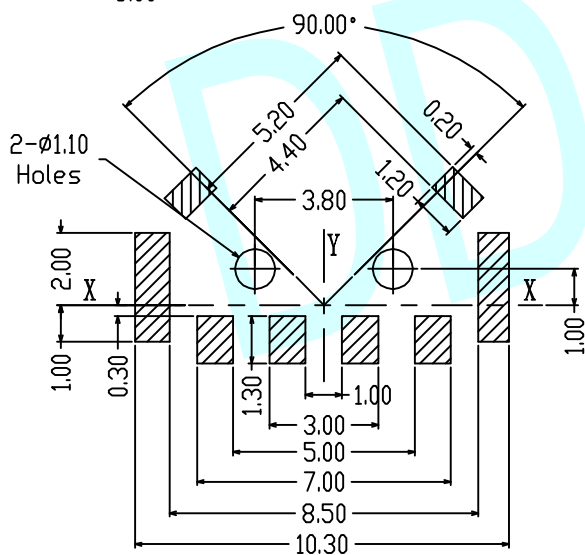
CODE TABLE



Circuit Diagram

NOTES:

1. Rating: DC 5V 10mA
2. Contact resistance: 100mΩ MAX
3. Insulation resistance: 100MΩ MIN
4. Service life: 100,000 cycles
5. Operating temperature: -25 °C ~ +85 °C
6. Using humidity: ≤ 85% RH
7. Operating Force :
 - a. Lever Porting : 100 ± 30gf
 - b. Push Portion : 205 ± 50gf



PCB Mounting
Pattern Dimension

APPROVALS		DATE	http://www.dongdudz.com	
DRAW:	ZRD	2017-12-6	TOLERANCE:	ANGLE:
CHECKED:	***	****	30≥ ±0.30	±2°
APPOVALS:	***	****	10°30 ±0.20	
			5°10 ±0.15	
			≤5 ±0.10	
			东都电子 DONGDU ELECTRONICS	
MODEL:		ROCKER SWITCH		
PART NO:		DDU-1216		
UNIT : mm	SCALE: 1:1			
REV:	A	PAGE: 1/1		