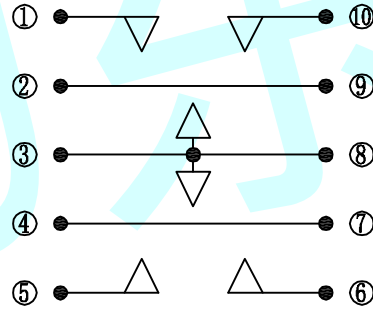
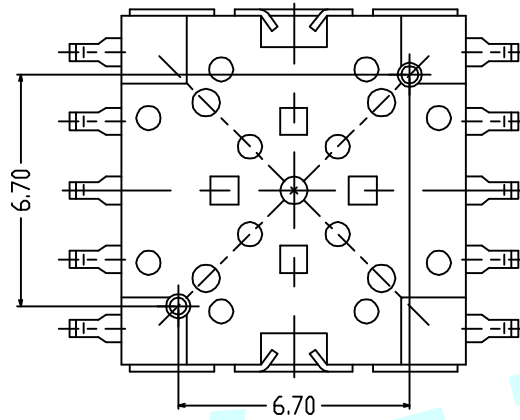
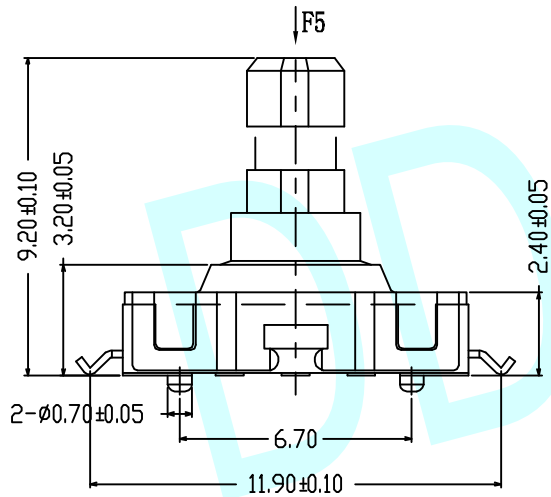
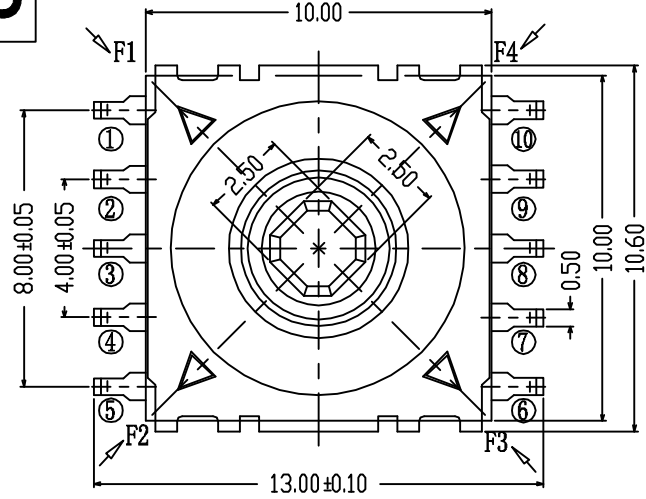
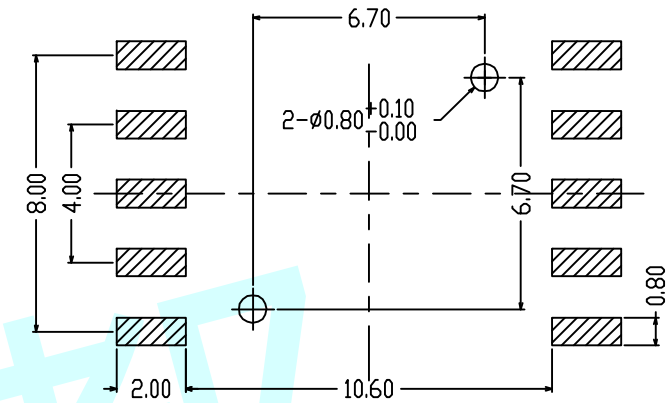


# ROHS



Circuit Diagram



PCB Layout (Pattern Side)

NOTES:

1. Rating: DC 12V 50mA
2. Contact resistance: 100mΩ MAX
3. Insulation resistance: 100MΩ MIN
4. Service life: 100,000 cycles
5. Operating temperature: -25 °C ~ +85 °C
6. Using humidity: ≤85% RH
7. Operating Force : 180/250 ± 50gf

	1	2	3	4	5	6	7	8	9	10
F1	●	●							●	
F2			●	●		●				
F3			●			●	●			
F4	●								●	●
F5	●	●	●		●	●	●			

APPROVALS		DATE	http://www.dongdudz.com	
DRAW:	ZRD	2017-12-6	TOLERANCE:	ANGLE:
CHECKED:	***	****	30≥	±0.30
APPOVALS:	***	****	10°30	±0.20
			5°10	±0.15
			≤5	±0.10
			±2°	
				东都电子 DONGDU ELECTRONICS
MODL:		ROCKER SWITCH		
PART NO:		DDU-1217		
UNIT :mm	SCALE: 1:1			
REV:	A	PAGE: 1/1		