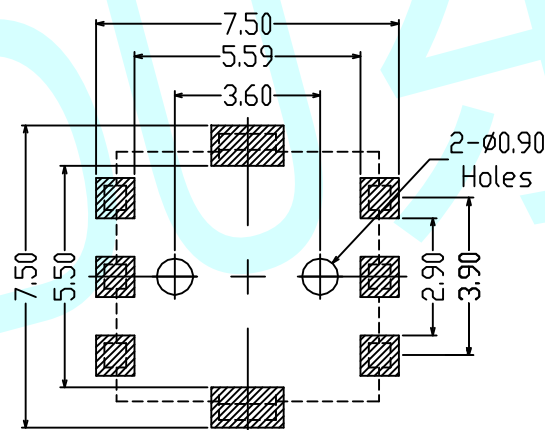
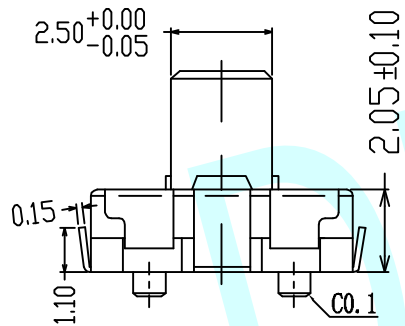
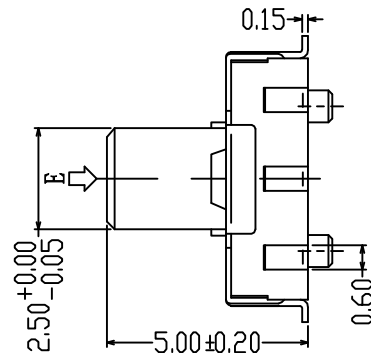
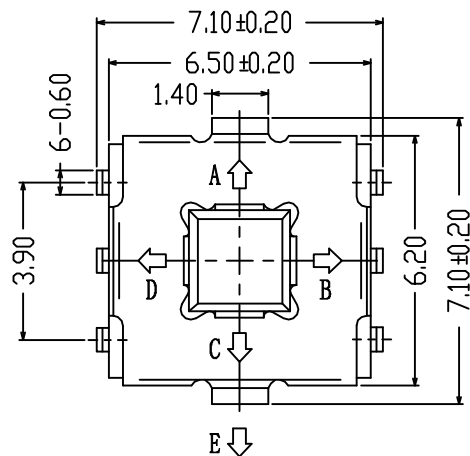
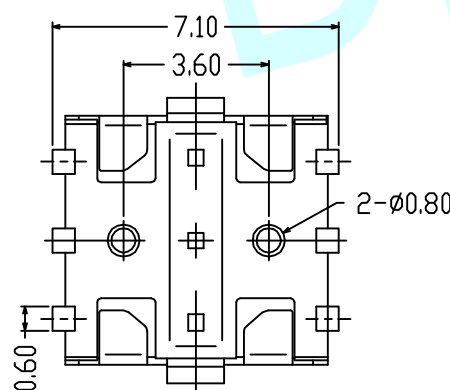


ROHS




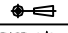
PCB Layout (Pattern Side)



NOTES:

1. Rating: DC 12V 50mA
2. Contact resistance: 100mΩ MAX
3. Insulation resistance: 100MΩ MIN
4. Service life: 50,000 cycles
5. Operating temperature: -25 °C ~ +85 °C
6. Using humidity: ≤85% RH
7. Operating power: 150/250 ± 40gf

Terminal	①	②	③	④	⑤	⑥	⑦
Diecton							
A	●	●			●	●	●
B		●	●		●	●	●
C			●	●			●
D	●			●		●	●
E					●	●	

APPROVALS		DATE	http://www.dongdudz.com	
DRAW:	ZRD	2017-12-6	TOLERANCE:	ANGLE:
CHECKED:	***	****	30≥ ±0.30	±2°
APPOVALS:	***	****	10~30 ±0.20	
			5~10 ±0.15	
			≤5 ±0.10	
				 东都电子 DONGDU ELECTRONICS
				MODEL: ROCKER SWITCH PART NO: DDU-1221 UNIT :mm SCALE: 1:1  REV: A PAGE: 1/1