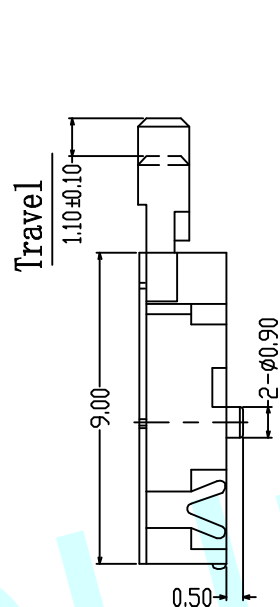
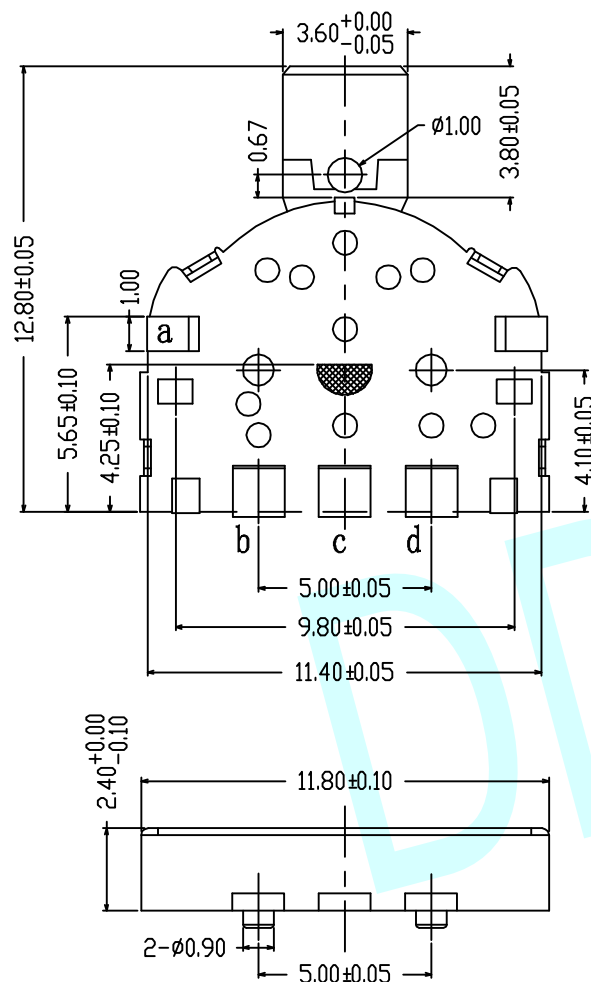
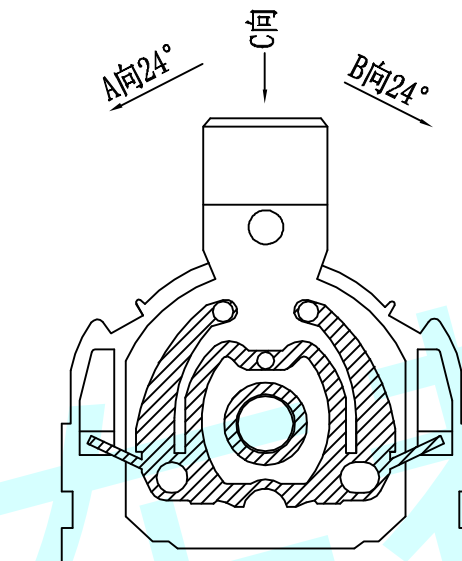


ROHS



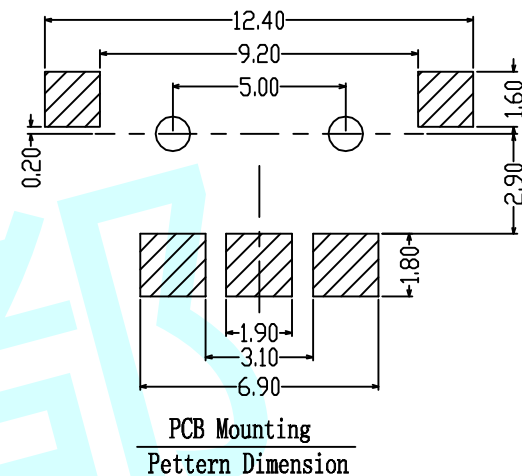
a A向24° a与b
b c d



a B向24° a与d
b c d

a C向150g a与c
b c d


Circuit Diagram



PCB Mounting
Pattern Dimension

NOTES:

1. Rating:DC 5V 10mA
2. Contact resistance: 100mΩ MAX
3. Insulation resistance: 100MΩ MIN
4. Service life:100,000 cycles
5. Operating temperature: -25℃~+85℃
6. Using humidity: ≤85% RH
7. Operating Force :
a. Lever portion:80±50gf
b. Push portion:205±50gf

APPROVALS		DATE	http://www.dongdudz.com		 东都电子 DONGDU ELECTRONICS
DRAW:	ZRD	2017-12-6	TOLERANCE:	ANGLE:	
CHECKED:	***	****	30°	±2°	
APPOVALS:	***	****	10°30'		
			5°10'		
			≤5		
MODEL:	ROCKER SWITCH				
PART NO:	DDU-1225				
UNIT :mm	SCALE:1:1				
REV:	A			PAGE:1/1	