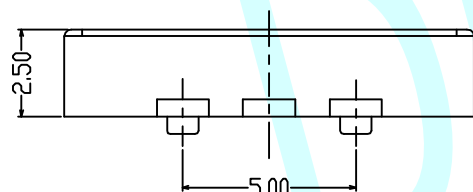
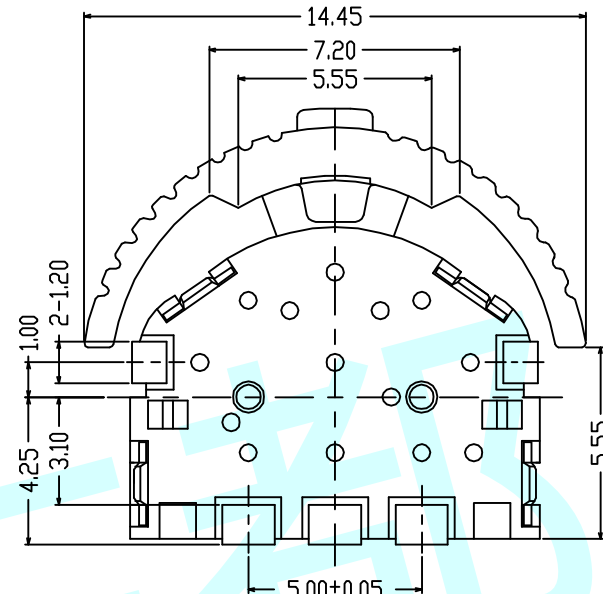
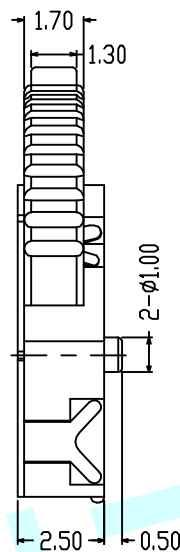
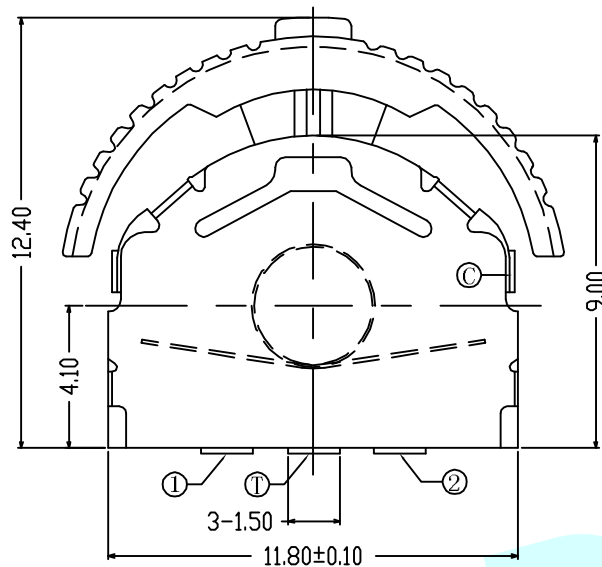
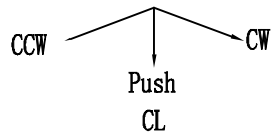
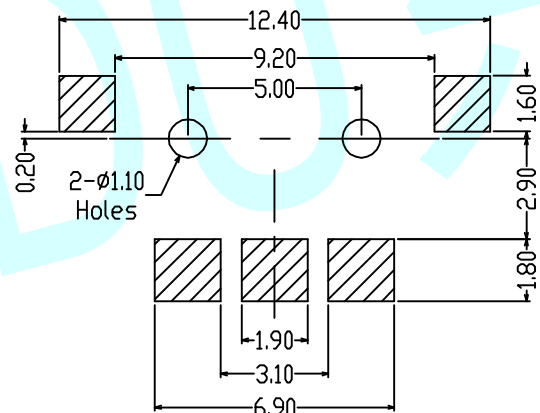


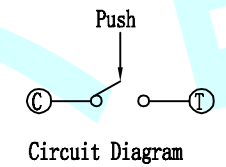
**ROHS**



- NOTES:**
- Operating Force :
  - 1. Lever Porting :  $70 \pm 40$ gf
  - 2. Push Portion :  $200 \pm 40$ gf
  - 3. Push Portion :  $200 \pm 40$ gf
  - 4. Travel :  $-25^\circ$  ,  $0^\circ$  ,  $+25^\circ$
  - Pushportion  $0.90 \pm 0.10$ mm



**PCB Mounting  
Pattern Dimension**



**Circuit Diagram**

TER	ANG. (25°) (18°)		(18°) (25°)	
	0° (Hatched=NO)			
①				
②				
③				

**CODE TABLE**

- NOTES:**
1. Rating: DC 5V 10mA
  2. Contact resistance: 100mΩ MAX
  3. Insulation resistance: 100MΩ MIN
  4. Service life: 100,000 cycles
  5. Operating temperature:  $-25^\circ\text{C} \sim +85^\circ\text{C}$
  6. Using humidity:  $\leq 85\% \text{ RH}$
  7. Operating Force :
    - a. 4-Direction:  $250 \pm 80$ gf
    - b. Center Push:  $250 \pm 80$ gf

APPROVALS		DATE	http://www.dongdudz.com	
DRAW:	ZRD	2017-12-6	TOLERANCE:	ANGLE:
CHECKED:	***	****	$30^\circ \geq$	$\pm 2^\circ$
APPOVALS:	***	****	$10^\circ 30'$	
			$5^\circ 10'$	
			$\leq 5$	$\pm 0.30$
				$\pm 0.20$
				$\pm 0.15$
				$\pm 0.10$

**东都电子**  
DONGDU ELECTRONICS

MODBL: ROCKER SWITCH  
PART NO: DDU-1227  
UNIT : mm SCALE: 1:1  
REV: A PAGE: 1/1