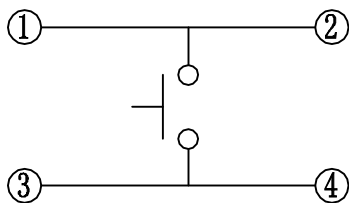
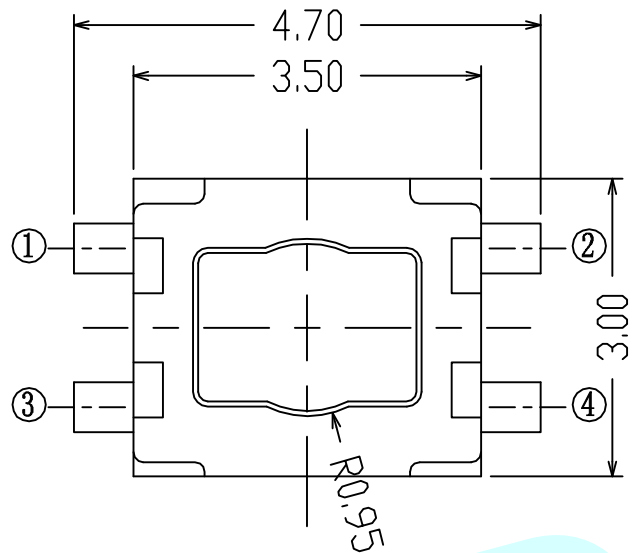
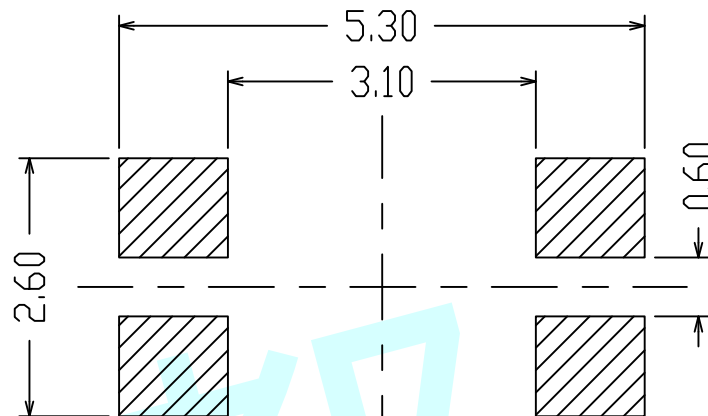


ROHS



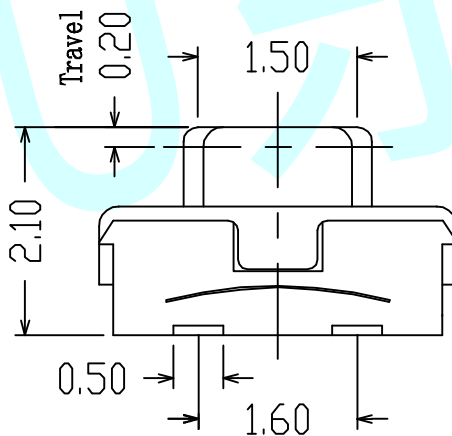
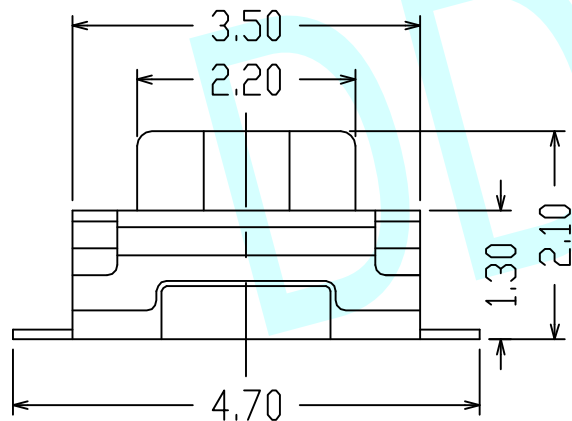
Circuit Diagram





PCB Layout Recommended

NOTES :

1. Rating :DC 12V 50mA.
2. Contact resistance: $\leq 50m\Omega$
3. Insulation resistance: $\geq 100M\Omega$
4. Travel: $0.20 \pm 0.10mm$



APPROVALS		DATE	http://www.dongdudz.com		 ® 东都电子 DONGDU ELECTRONICS
DRAW:	ZRD	2017-12-6	TOLERANCE:	ANGLE:	
CHECKED:	***	****	30° \geq	$\pm 2^\circ$	
APPOVALS:	***	****	10°30		
			5°10		
			≤ 5		
MODEL:	TACT SWITCHES		UNIT :mm	SCALE:1:1	
PART NO:	DDU-1104M		REV:	A	