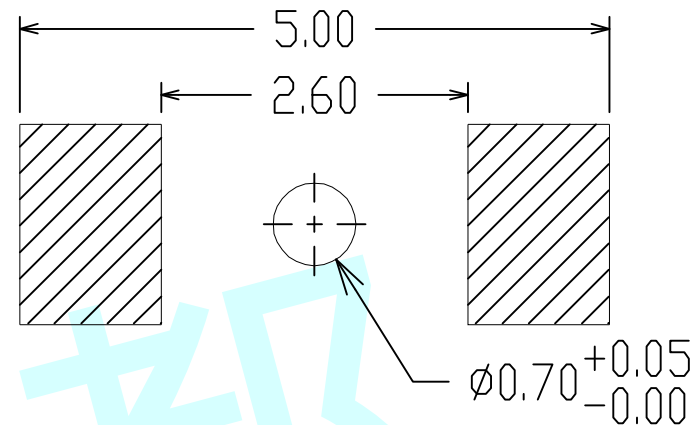
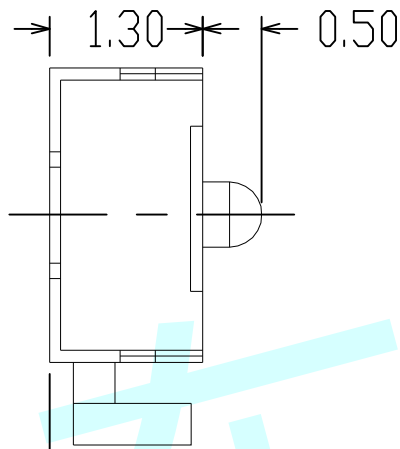
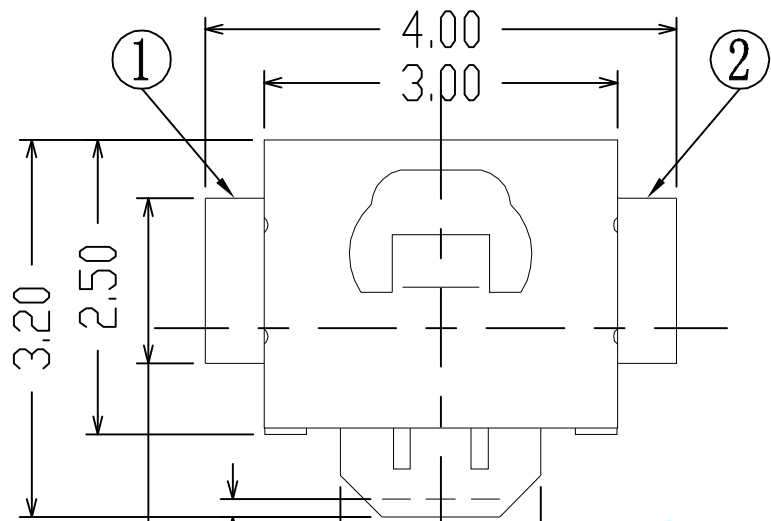


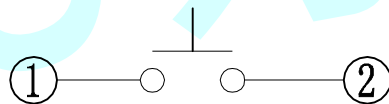
ROHS



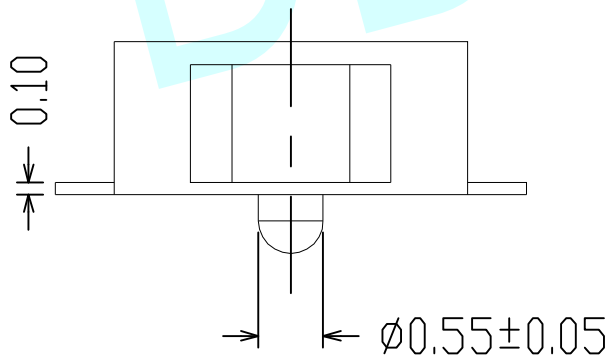
PCB Layout (Pattern Side)

NOTES :


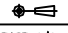
- 1. Rating :DC 12V 50mA.
- 2. Contact resistance:  $\leq 100m\Omega$
- 3. Insulation resistance:  $\geq 100M\Omega$
- 4. Travel:  $0.15\pm 0.05mm$



Circuit Diagram



Stergth	90±30	130±30	180±30	250±30	350±50
---------	-------	--------	--------	--------	--------

APPROVALS		DATE	http://www.dongdudz.com		
DRAW:	ZRD	2017-12-6	TOLERANCE:	ANGLE:	
CHECKED:	***	****	30° $\geq$	$\pm 0.30$	$\pm 2^\circ$
APPOVALS:	***	****	10°30	$\pm 0.20$	
			5°10	$\pm 0.15$	
			$\leq 5$	$\pm 0.10$	
			 <b>® 东都电子</b> DONGDU ELECTRONICS		
MODEL:		TACT SWITCHES			
PART NO:		DDU-1113SA			
UNIT :mm		SCALE:1:1			
REV:		A		PAGE:1/1	