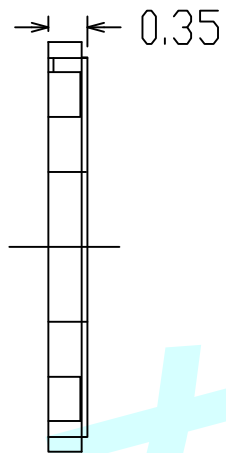
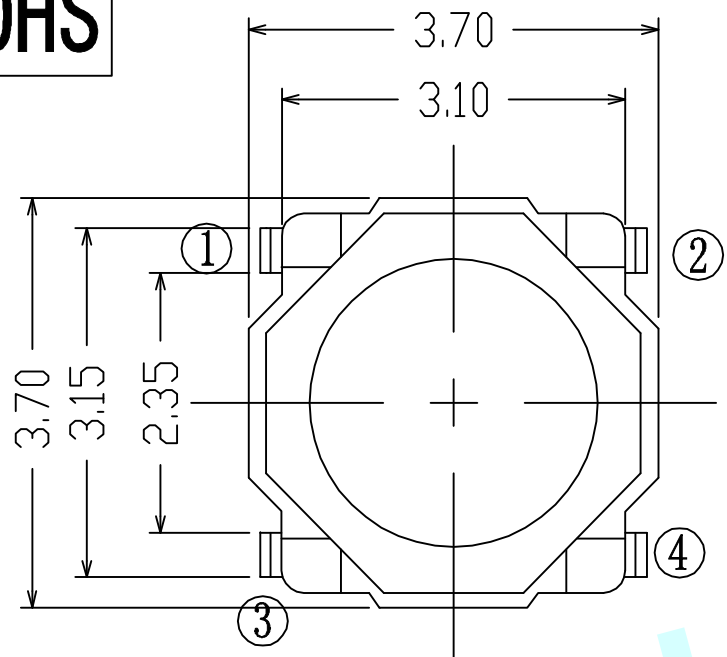
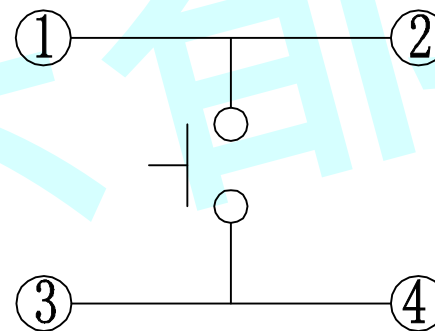


ROHS

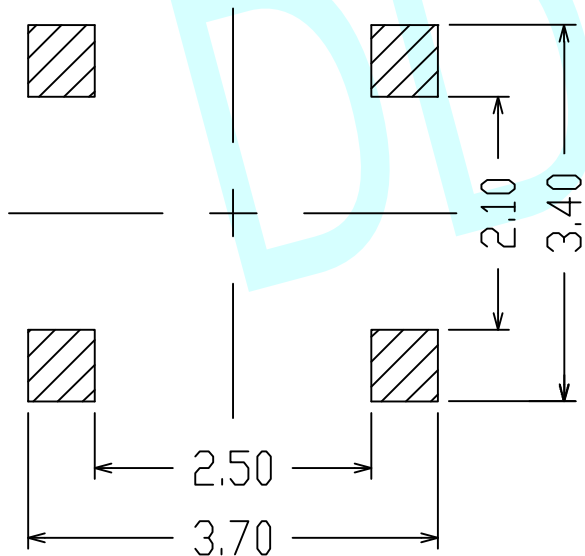



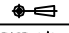
NOTES :

1. Rating :DC 12V 50mA.
2. Contact resistance:  $\leq 100\text{m}\Omega$
3. Insulation resistance:  $\geq 100\text{M}\Omega$
4. Travel:  $0.15 \pm 0.05\text{mm}$



Circuit Diagram



APPROVALS		DATE	<a href="http://www.dongdudz.com">http://www.dongdudz.com</a>		 <b>® 东都电子</b> DONGDU ELECTRONICS	
DRAW:	ZRD	2017-12-6	TOLERANCE:	ANGLE:		
CHECKED:	***	****	30°	±0.30		±2°
APPOVALS:	***	****	10°30'	±0.20		
			5°10'	±0.15		
			≤5	±0.10	MODEL: TACT SWITCHES PART NO: DDU-1114L UNIT :mm SCALE: 1:1  REV: A PAGE: 1/1	