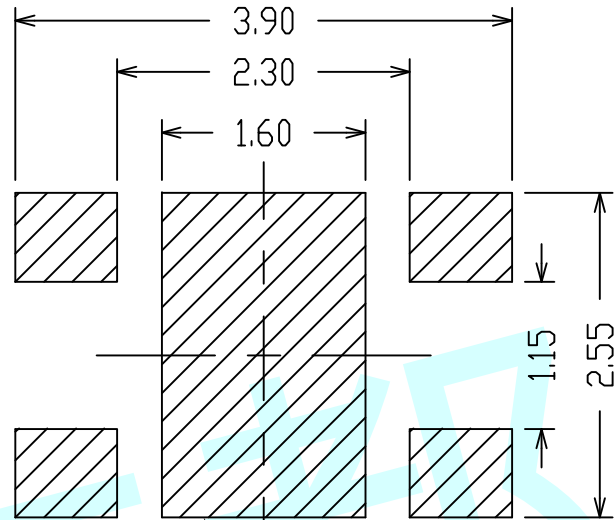
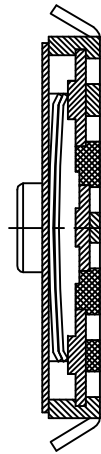
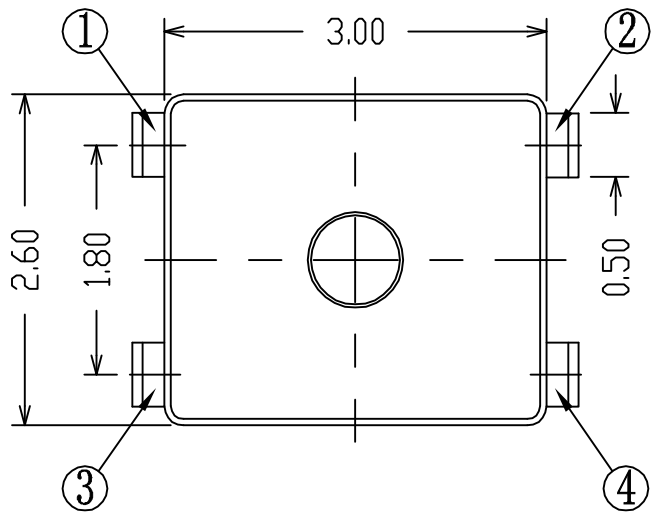
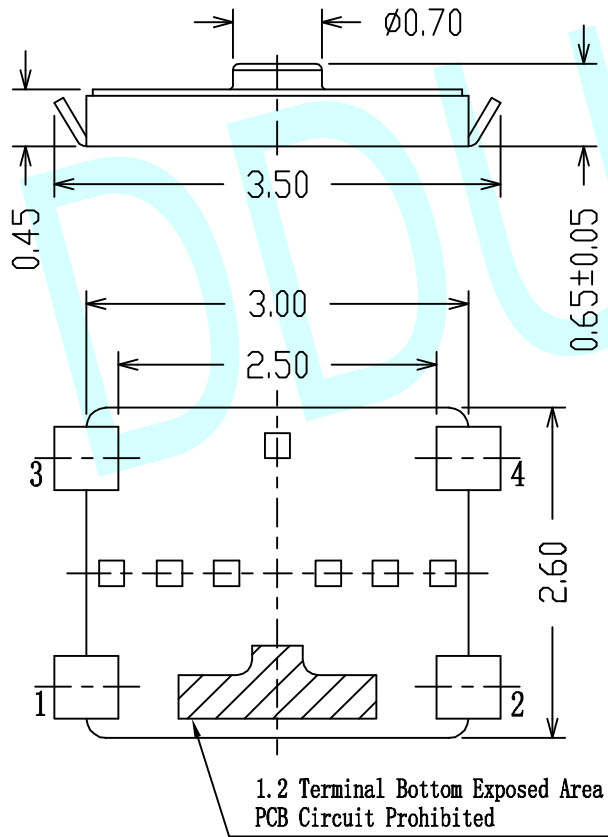


ROHS



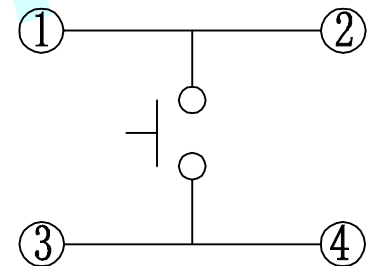
PCB Circuit Prohibited Area
PCB Layout (Pattern Side)



1.2 Terminal Bottom Exposed Area
PCB Circuit Prohibited

NOTES :

1. Rating :DC 12V 50mA.
2. Contact resistance: $\leq 100m\Omega$
3. Insulation resistance: $\geq 100M\Omega$
4. Travel: $0.15 \pm 0.05mm$



Circuit Diagram

		Stergth	90±30	130±30	180±30	250±30	350±30
APPROVALS		DATE		http://www.dongdudz.com			
DRAW:	ZRD	2017-12-6		TOLERANCE:		ANGLE:	
CHECKED:	***	****		30 \geq	± 0.30	$\pm 2^\circ$	
APPOVALS:	***	****		10 \sim 30	± 0.20		
				5 \sim 10	± 0.15		
				≤ 5	± 0.10		
						MODEL:	TACT SWITCHES
						PART NO:	DDU-1120UQ
						UNIT :mm	SCALE:1:1
						REV:	A
						PAGE:1/1	



MODEL: TACT SWITCHES
PART NO: DDU-1120UQ
UNIT :mm SCALE:1:1
REV: A PAGE:1/1