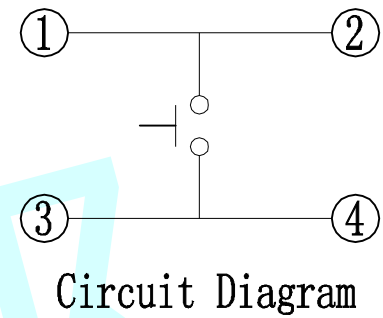
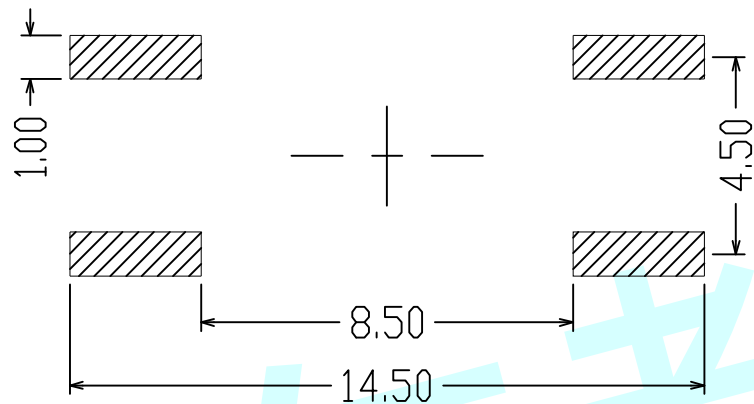
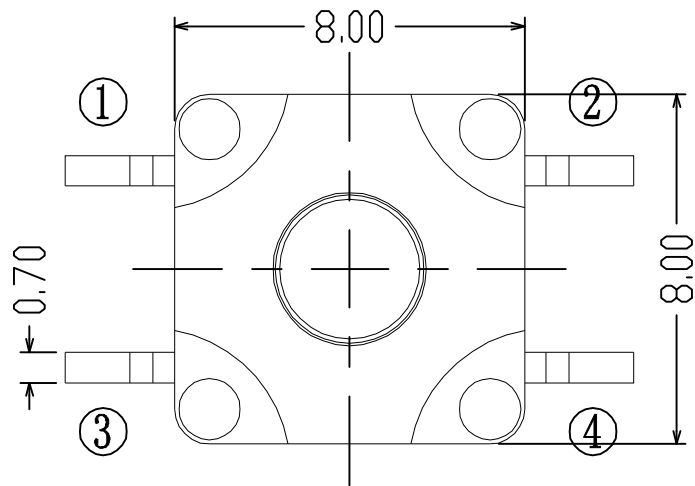
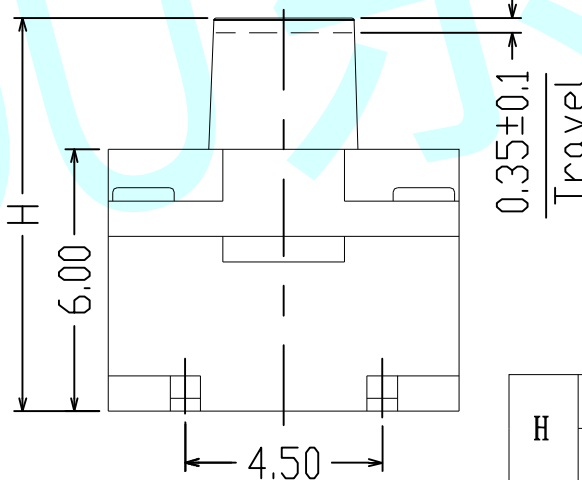
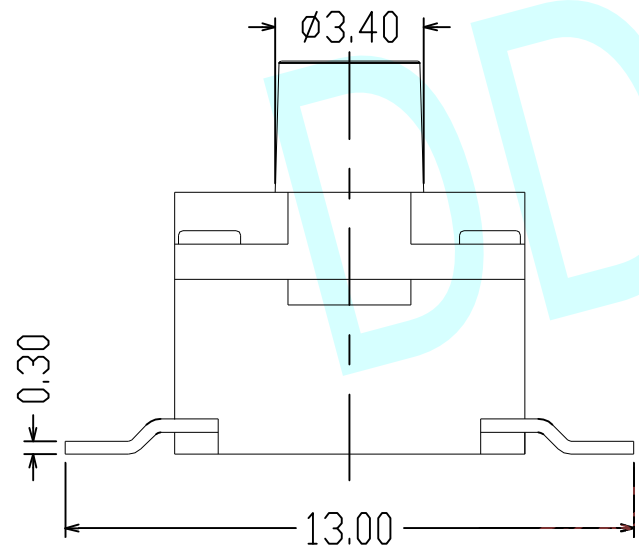


ROHS



PCB Layout (Pattern Side)

Circuit Diagram



NOTES :

1. Rating :DC 12V 50mA.
2. Contact resistance: $\leq 100m\Omega$
3. Insulation resistance: $\geq 100M\Omega$
4. Travel: $0.35 \pm 0.10mm$
5. Waterproof grade: IP67

	Stergth		250±30			350±50								
H	11.0	11.5	12.0	12.5	13.0	13.5	14.0	15.0	15.5	16.0	16.5	17.0	18.0	19.0
	4.3	4.5	5.0	5.5	6.0	6.5	7.0	7.5	8.0	8.5	9.0	9.5	10.0	10.5

APPROVALS		DATE	http://www.dongdudz.com		
DRAW:	ZRD	2017-12-6	TOLERANCE:		ANGLE:
CHECKED:	***	****	30°	±0.30	±2°
APPOVALS:	***	****	10°30	±0.20	
			5°10	±0.15	
			≤5	±0.10	

东都电子
DONGDU ELECTRONICS

MODEL: TACT SWITCHES
PART NO: DDU-1126SP
UNIT :mm SCALE:1:1
REV: A PAGE:1/1