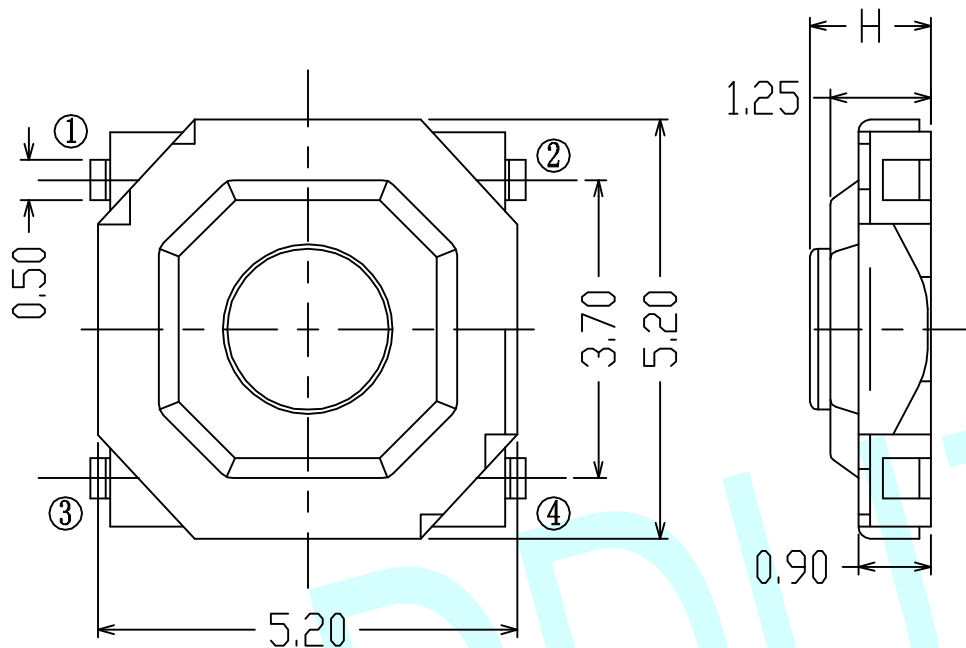
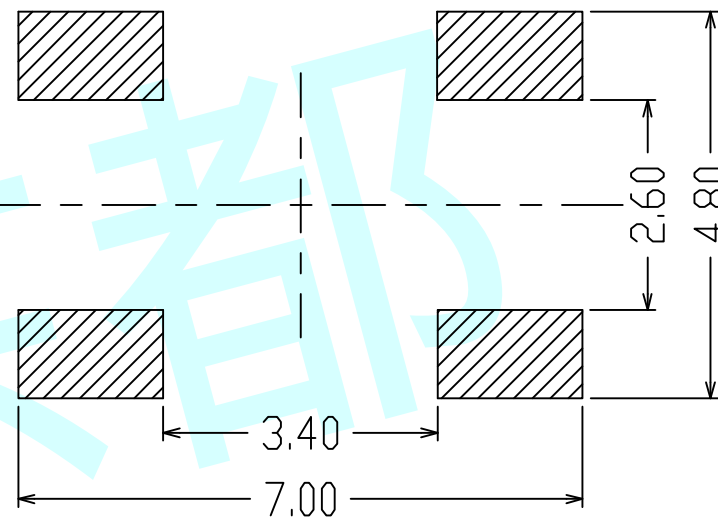
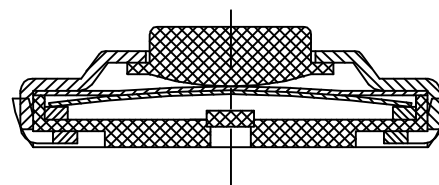
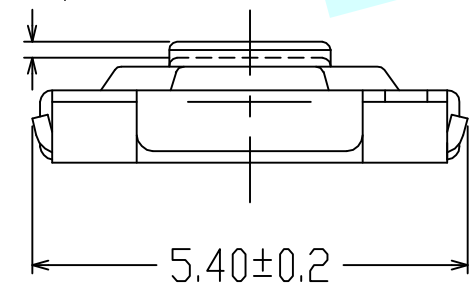


ROHS

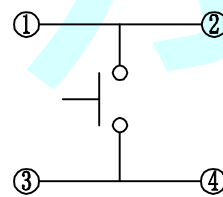


- NOTES :
1. Rating :DC 12V 50mA.
 2. Contact resistance: $\leq 100m\Omega$
 3. Insulation resistance: $\geq 100M\Omega$
 4. Travel: $0.20 \pm 0.10mm$
 5. Life :100,000 Cycles

0.20 ± 0.1
Travel


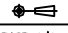


PCB Layout (Pattern Side)



Circuit Diagram

H	1.50	1.60	1.70	2.00	2.50	3.00	4.30
Stergth	90±30	130±30	180±30	250±30	350±50		

APPROVALS		DATE	http://www.dongdudz.com		 东都电子 DONGDU ELECTRONICS
DRAW:	ZRD	2017-12-6	TOLERANCE:	ANGLE:	
CHECKED:	***	****	30° ≥ ±0.30	±2°	
APPOVALS:	***	****	10°~30 ±0.20		
			5°~10 ±0.15		
			≤5 ±0.10		MODEL: TACT SWITCHES PART NO: DDU-1169 UNIT :mm SCALE: 1:1  REV: A PAGE: 1/1