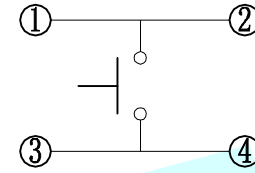
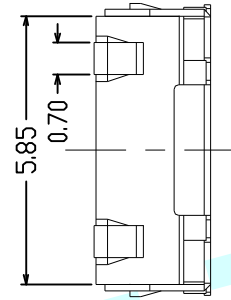
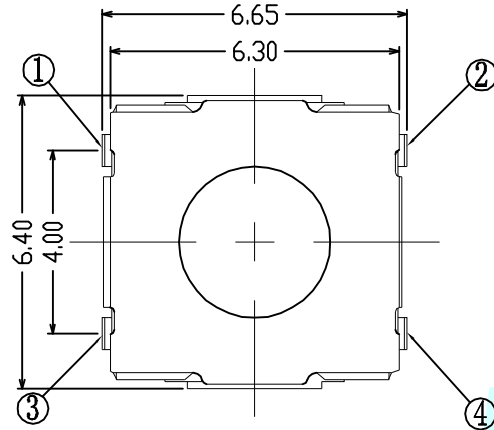
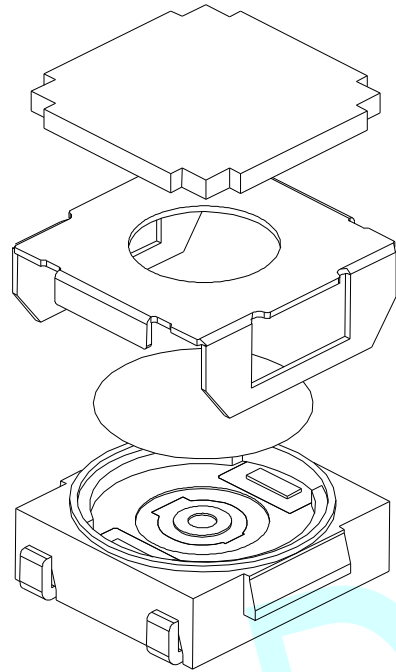
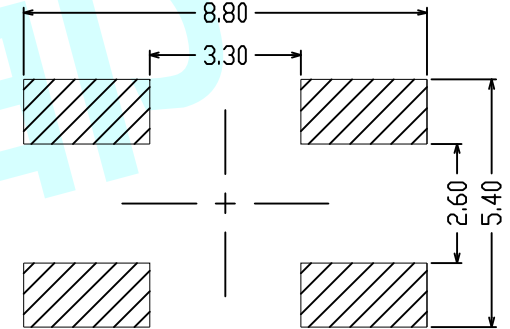
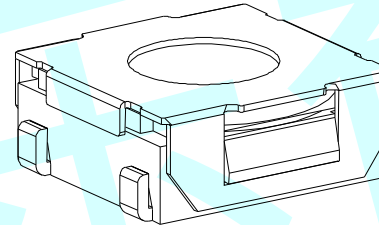
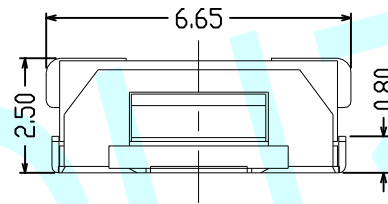


ROHS




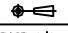
CIRCUIT DIAGRAM



PCB WELDING DRAWING

The Mai Thchnology Performance:

1. Rate voltage. current: 50mA DC 12V
2. Contact resistance: $\leq 100m\Omega$
3. Travel: $0.35 \pm 0.15mm$
4. Insulated resistance: $\geq 100M\Omega$
5. Dielectric strength: $\geq 250V AC/1min$
6. Endurance: 100, 000 cycles

APPROVALS		DATE	http://www.dongdudz.com		 ® 东都电子 DONGDU ELECTRONICS
DRAW:	ZRD	2017-12-6	TOLERANCE:	ANGLE:	
CHECKED:	***	****	30° \geq	± 0.30	±2°
APPOVALS:	***	****	10° 30'	± 0.20	
			5° 10'	± 0.15	
			≤ 5	± 0.10	
MODEL:	TACT SWITCHES				
PART NO:	DDU-1164				
UNIT :mm	SCALE: 1:1				
REV:	A	PAGE: 1/1			