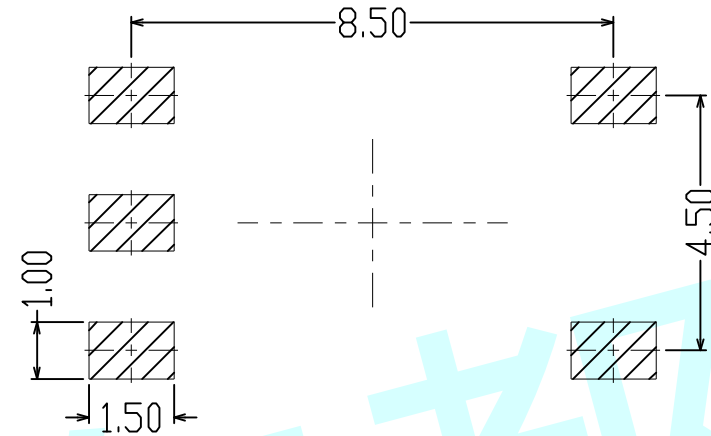
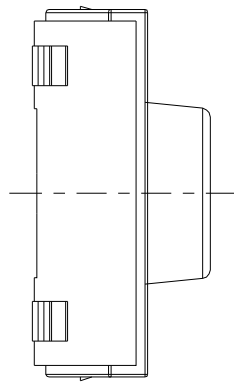
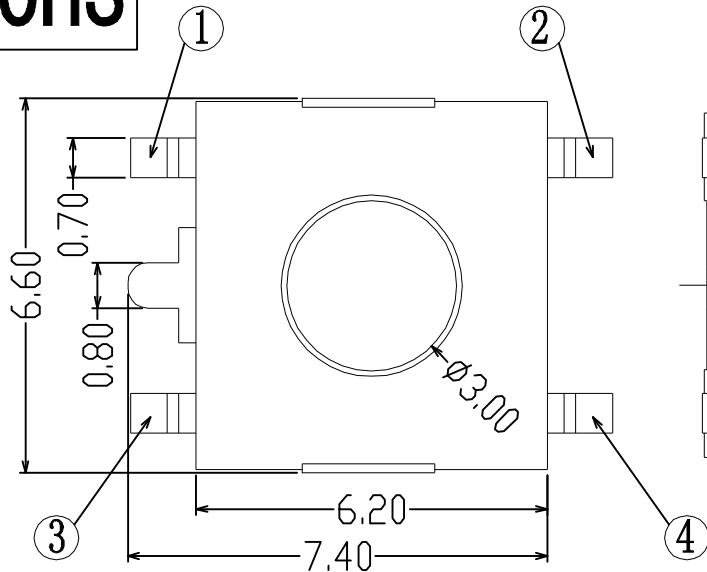


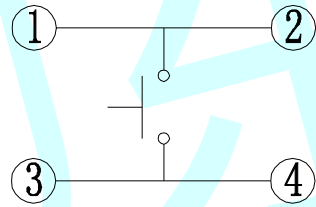
ROHS



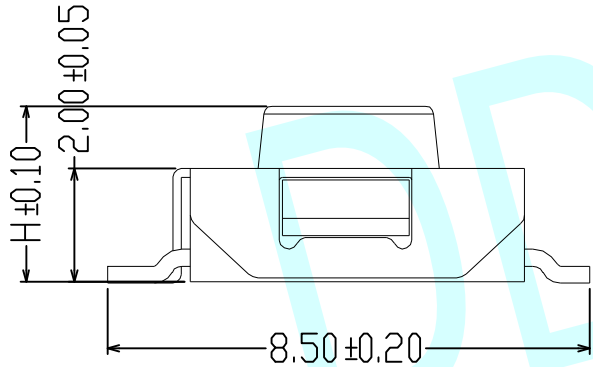
PCB LAYOUT

NOTES:



1. Rate voltage. current: 50mA DC 12V
2. Contact resistance: $\leq 100m\Omega$
3. Insulated resistance: $\geq 100M\Omega$
4. Dielectric strength: $\geq 250V AC/1min$
5. Endurance: 100, 000 cycles



Circuit Diagram



H	H
2.5	2.7
3.1	3.4
3.7	3.8
4.3	4.8
5.0	5.2
5.5	

APPROVALS		DATE	http://www.dongdudz.com	
DRAW:	ZRD	2017-12-6	TOLERANCE:	ANGLE:
CHECKED:	***	****	30°	±0.30
APPOVALS:	***	****	10°30	±0.20
			5°10	±0.15
			≤5	±0.10
			±2°	
			 东都电子 DONGDU ELECTRONICS	
MODEL:		TACT SWITCHES		
PART NO:		DDU-1165		
UNIT :mm	SCALE:1:1			
REV:	A	PAGE:1/1		