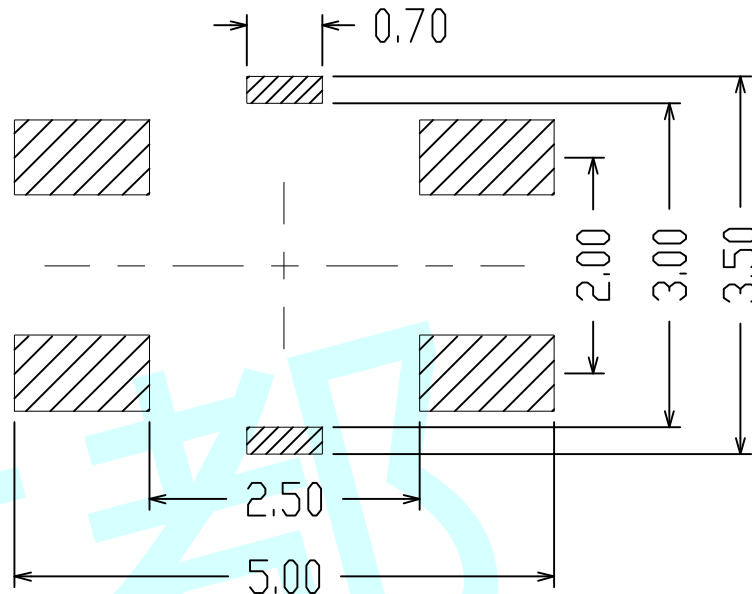
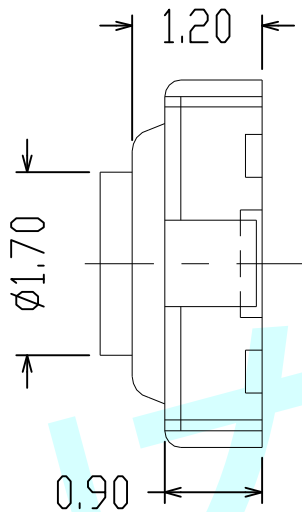
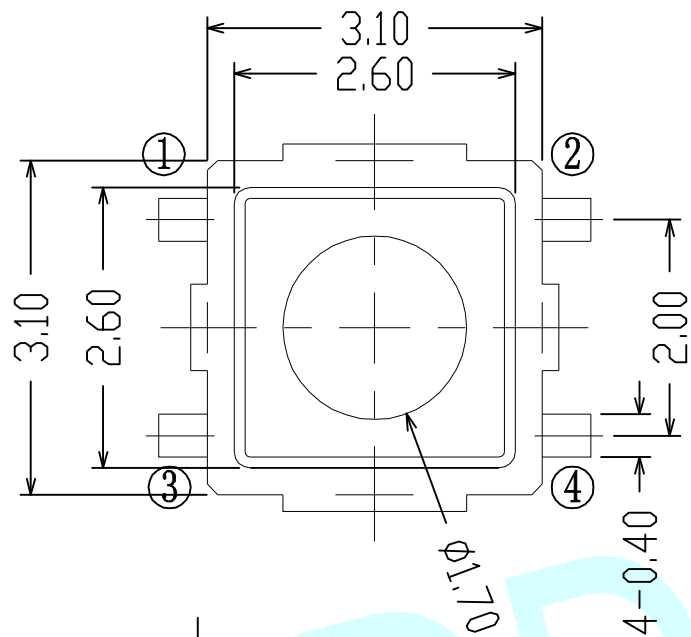


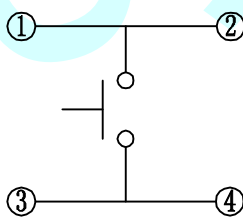
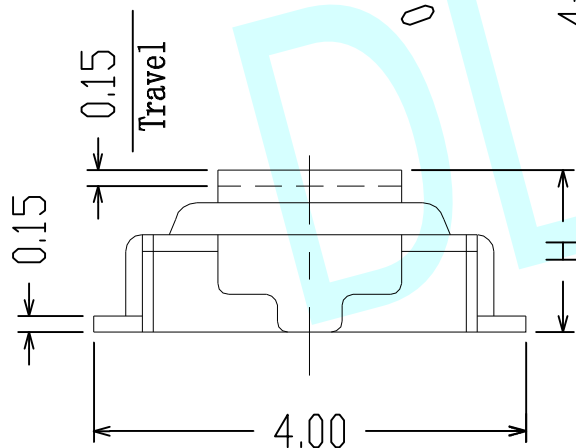
ROHS




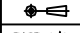
PCB Layout (Pattern Side)

NOTES :

1. Rating :DC 12V 50mA.
2. Contact resistance: $\leq 100m\Omega$
3. Insulation resistance: $\geq 100M\Omega$
4. Service temperature: $-25^{\circ}C \sim +85^{\circ}C$
5. Travel: $0.15 \pm 0.10mm$



Circuit Diagram

			H	1.50	2.00			
			Stergth	90±30	130±30	180±30	250±30	350±50
APPROVALS		DATE	http://www.dongdudz.com		 东都电子 DONGDU ELECTRONICS			
DRAW:	ZRD	2017-12-6	TOLERANCE:				ANGLE:	
CHECKED:	***	****	30≥	±0.30			±2°	
APPOVALS:	***	****	10~30	±0.20				
			5~10	±0.15	MODEL:	TACT SWITCHES		
			≤5	±0.10	PART NO:	DDU-1162		
					UNIT :mm	SCALE: 1:1		
					REV:	A	PAGE: 1/1	