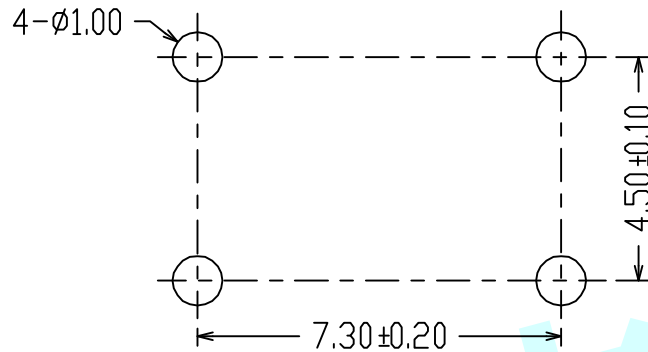
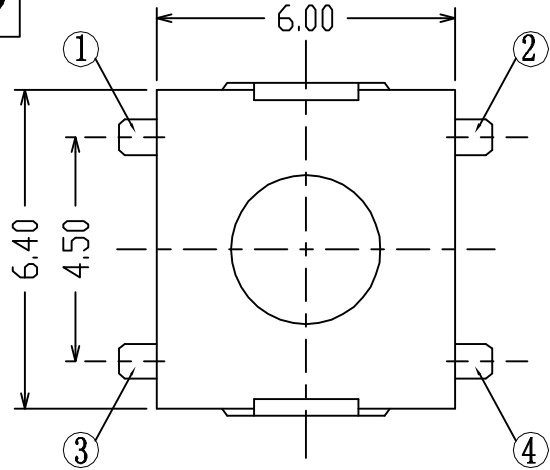
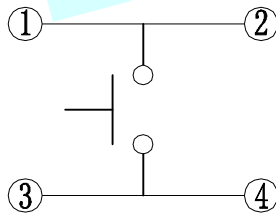
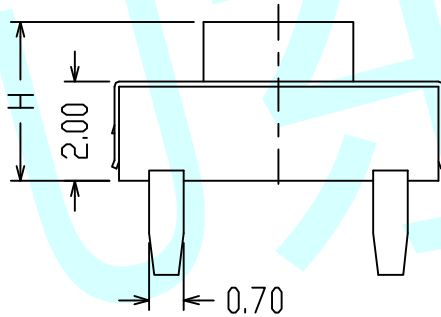
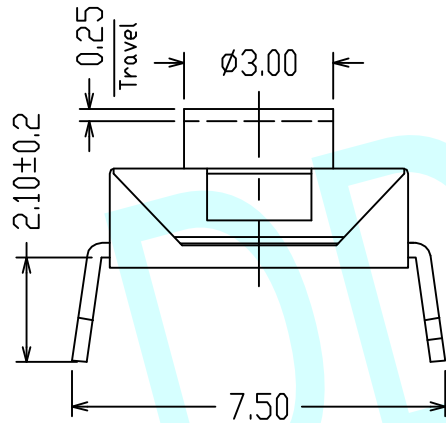


ROHS




PCB Layout (Pattern Side)



Circuit Diagram

The Mai Thchnology Performance:

1. Rate voltage. current: 50mA DC 12V
2. Contact resistance: $\leq 100m\Omega$
3. Travel: $0.25 \pm 0.05mm$
4. Insulated resistance: $\geq 100M\Omega$
5. Dielectric strength: $\geq 250V AC/1min$
6. Endurance: 100, 000 cycles

			H	2.5	3.2	3.4	5.5		
Stergth	90±30	130±30	180±30	250±30	350±30				
APPROVALS	DATE	http://www.dongdudz.com		 东都电子 DONGDU ELECTRONICS					
DRAW:	ZRD	2017-12-6	TOLERANCE:					ANGLE:	
CHECKED:	***	****	30°					±0.30	±2°
APPOVALS:	***	****	10°30					±0.20	
			5°10					±0.15	
			≤5	±0.10					
MODEL:	TACT SWITCHES								
PART NO:	DDU-1187								
UNIT :mm	SCALE: 1:1								
REV:	A						PAGE: 1/1		