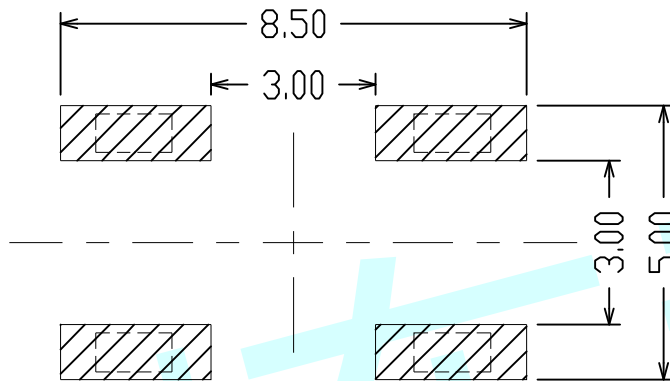
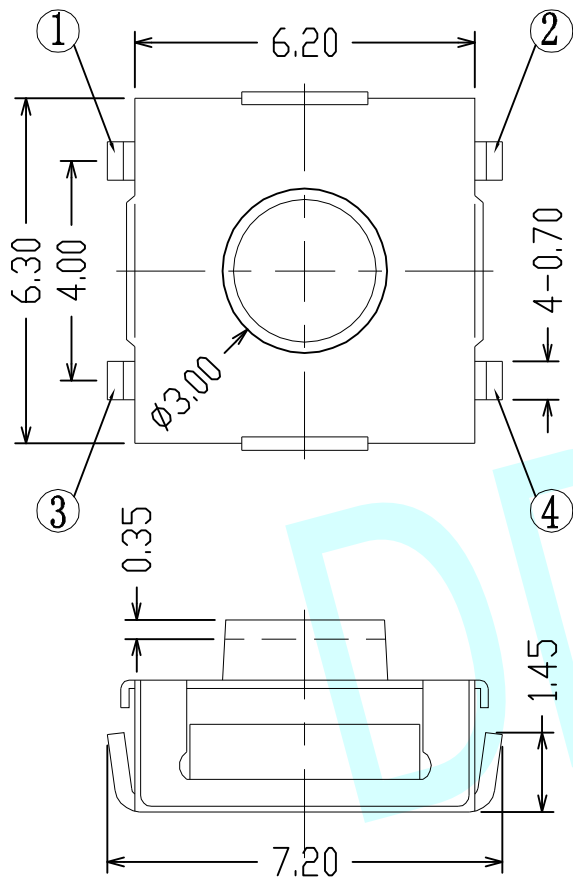


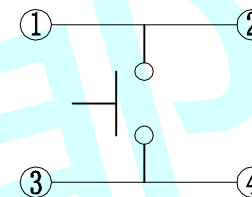
**ROHS**



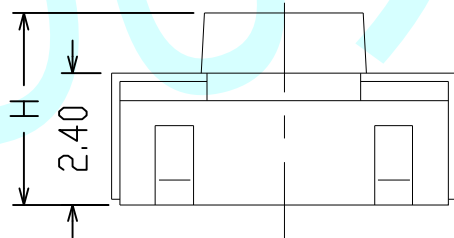
PCB Layout (Pattern Side)

Typical Specifications :


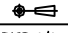
- 1. Rating :DC 12V 50mA
- 2. Contact Resistance:100mΩ min
- 3. Life :100,000 Cycles



Circuit Diagram



Base Color (底座颜色)	Grey(灰色)	Black(黑色)	
Handle Color (手柄颜色)	Blue(蓝色)	White(白色)	
H	3.50	4.30	5.00
Stergth	180±30	250±30	350±50

APPROVALS		DATE	http://www.dongdudz.com		 <b>® 东都电子</b> DONGDU ELECTRONICS	
DRAW:	ZRD	2017-12-6	TOLERANCE:	ANGLE:		
CHECKED:	***	****	30° ≥	±0.30		±2°
APPOVALS:	***	****	10°~30	±0.20		
			5°~10	±0.15		
			≤5	±0.10	MODEL: TACT SWITCHES PART NO: DDU-1168 UNIT :mm SCALE:1:1  REV: A PAGE:1/1	