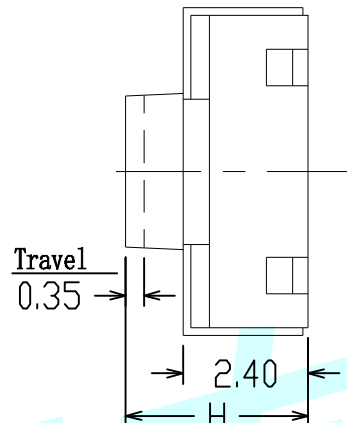
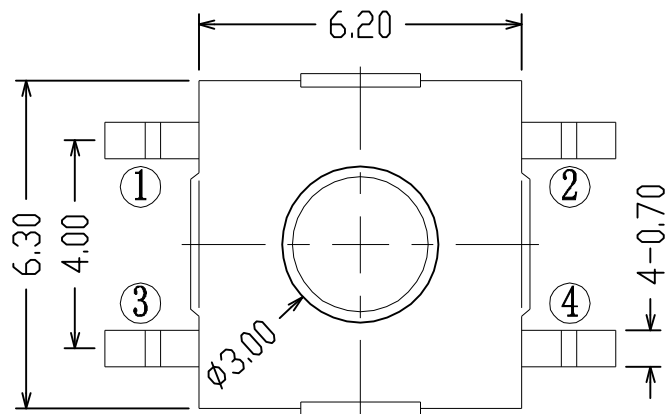


ROHS

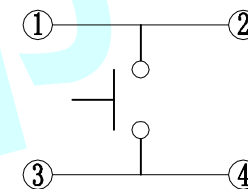
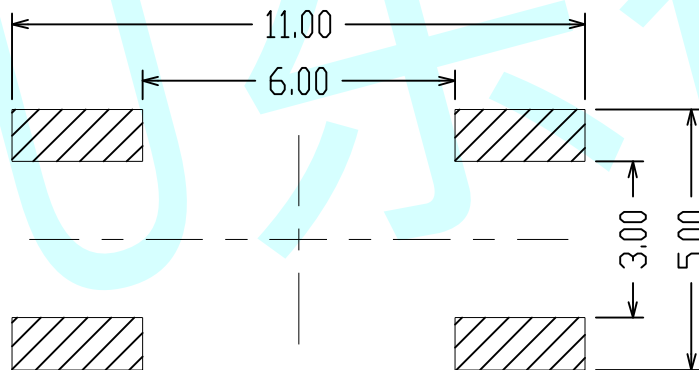
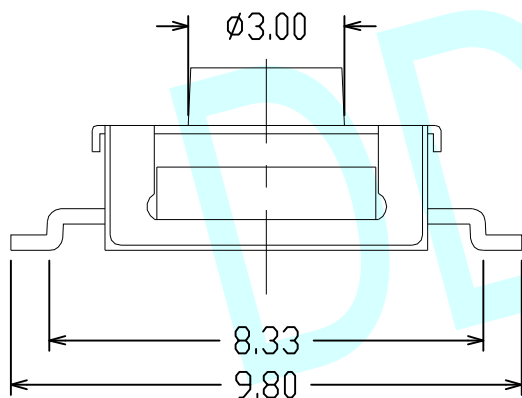


Typical Specifications :

1. Rating :DC 12V 50mA


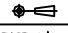
2. Contact Resistance:100mΩ min

3. Life :100,000 Cycles



Circuit Diagram

PCB Layout (Pattern Side)

		H	3.50	5.00
Stergth		180±30	250±30	350±50
APPROVALS	DATE	http://www.dongdudz.com		
DRAW:	ZRD	2017-12-6	TOLERANCE:	ANGLE:
CHECKED:	***	****	30° ≥ ±0.30	±2°
APPOVALS:	***	****	10°~30 ±0.20	
			5°~10 ±0.15	
			≤5 ±0.10	
		 ® 东都电子 DONGDU ELECTRONICS		
		MODEL:	TACT SWITCHES	
		PART NO:	DDU-1169	
		UNIT :mm	SCALE:1:1	
		REV:	A	PAGE:1/1