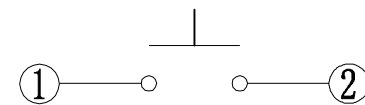
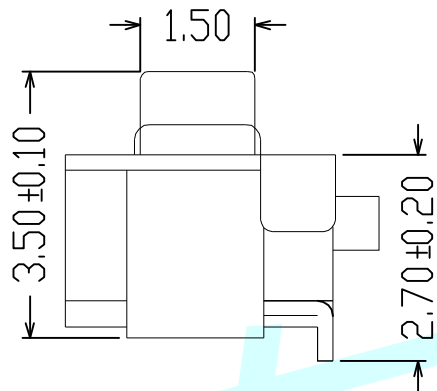
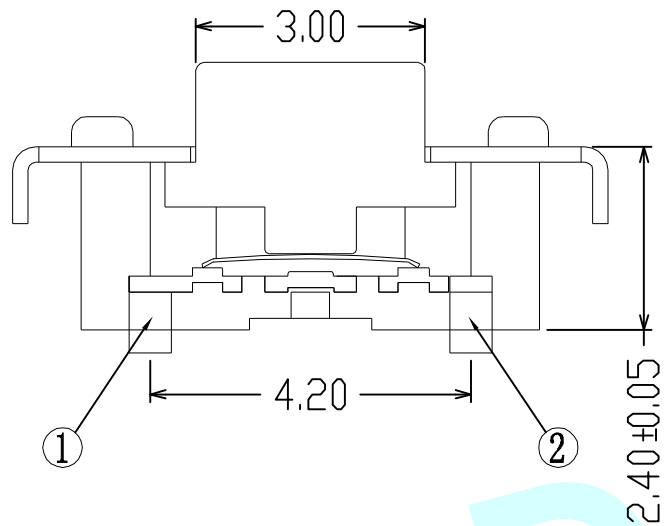
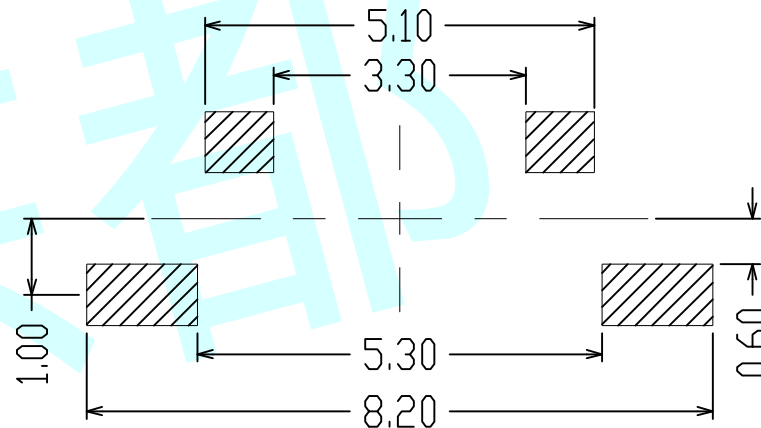


**ROHS**



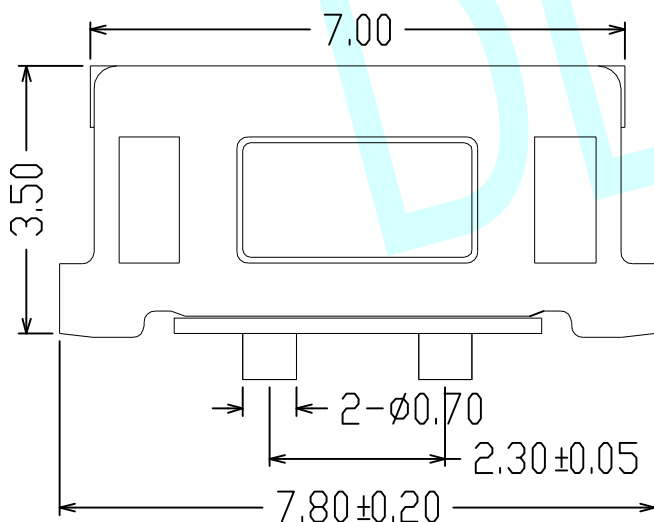
Circuit Diagram


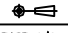


PCB Layout recommended

**NOTES:**

1. Rate voltage. current: 50mA DC 12V
2. Contact resistance:  $\leq 100m\Omega$
3. Insulated resistance:  $\geq 100M\Omega$
4. Dielectric strength:  $\geq 250V$  AC/1min
5. Endurance: 100, 000 cycles



APPROVALS		DATE	http://www.dongdudz.com	
DRAW:	ZRD	2017-12-6	TOLERANCE:	ANGLE:
CHECKED:	***	****	30° $\geq$ ±0.30	±2°
APPOVALS:	***	****	10°30' ±0.20	
			5°10' ±0.15	
			≤5 ±0.10	
				 <b>® 东都电子</b> DONGDU ELECTRONICS
				MODEL: TACT SWITCHES PART NO: DDU-1177 (0.7方薄片) UNIT :mm SCALE: 1:1  REV: A PAGE: 1/1