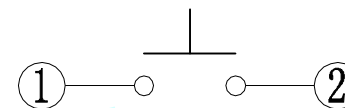
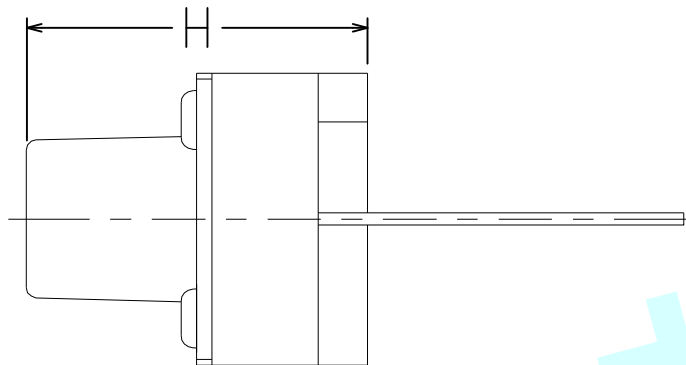
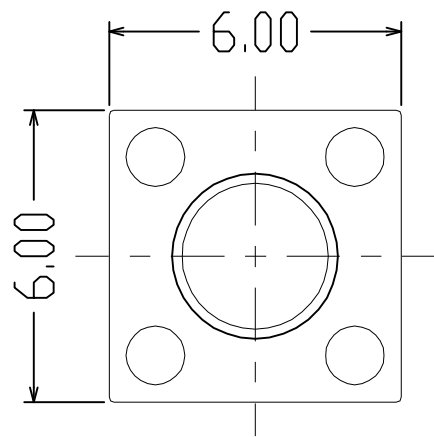
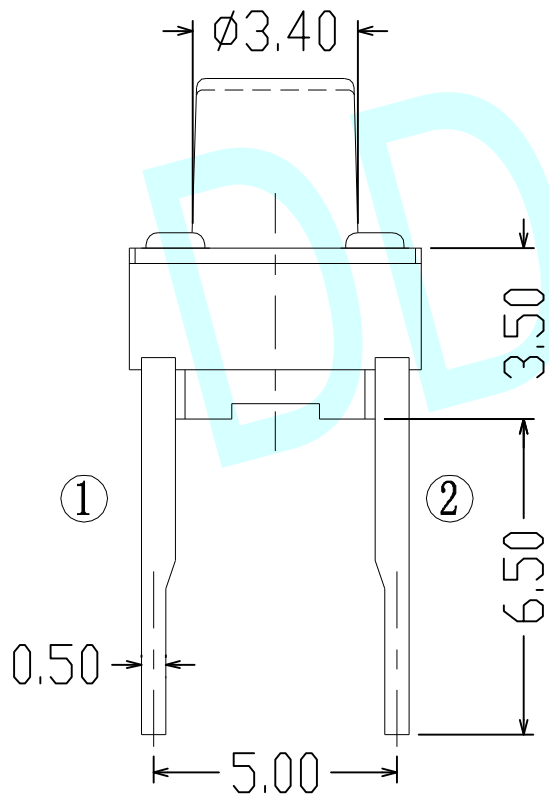


ROHS

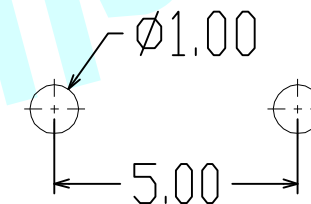


Circuit Diagram




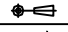
NOTES :

1. Rating :DC 12V 50mA
2. Contact resistance: $\leq 100m\Omega$
3. Insulation resistance: $\geq 100M\Omega$
4. Travel: $0.25 \pm 0.10mm$
6. Life :100,000 Cycles



PCB Layout (Pattern Side)

H	14.00	15.00	15.50	16.00	17.00	18.00	19.00			
	9.00	9.50	10.00	10.50	11.00	11.50	12.00	12.50	13.00	13.50
	4.30	4.50	5.00	5.50	6.00	6.50	7.00	7.50	8.00	8.50

APPROVALS		DATE	http://www.dongdudz.com			 东都电子 DONGDU ELECTRONICS		
DRAW:	ZRD	2017-12-6	TOLERANCE:		ANGLE:			
CHECKED:	***	****	30 \geq	± 0.30	$\pm 2^\circ$	MODEL:	TACT SWITCHES	
APPOVALS:	***	****	10 \sim 30	± 0.20		PART NO:	DDU-1189	
			5 \sim 10	± 0.15		UNIT :mm	SCALE:1:1	
			≤ 5	± 0.10		REV:	A	PAGE:1/1