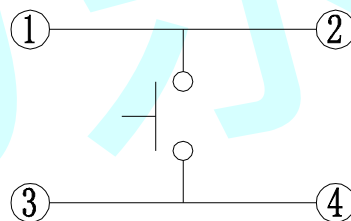
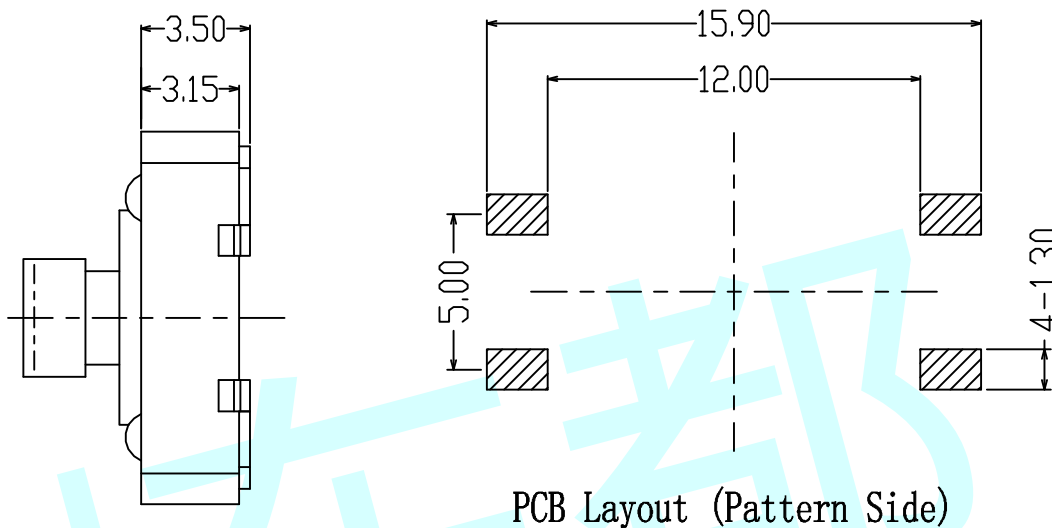
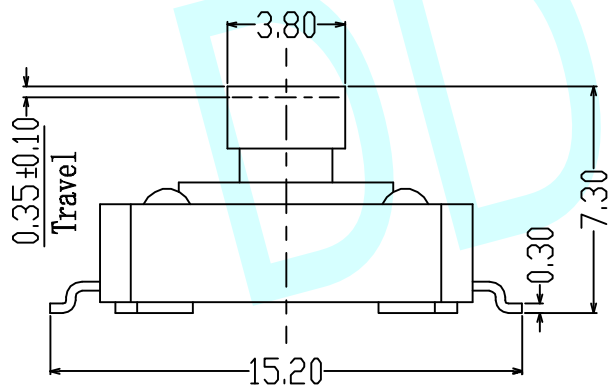
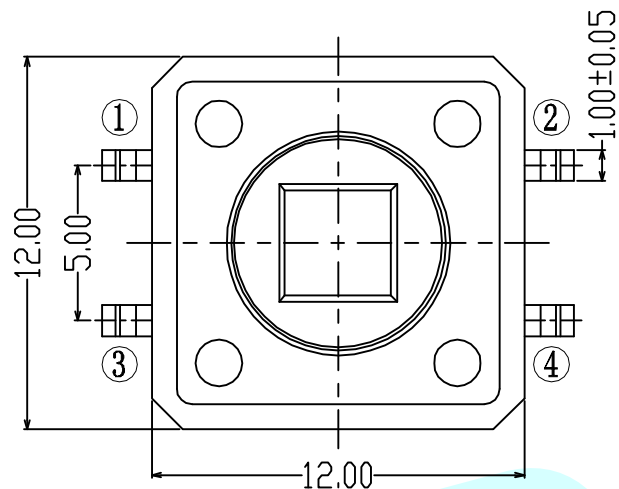


ROHS


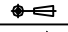


PCB Layout (Pattern Side)

Circuit Diagram

NOTES:

1. Rate voltage. current: 50mA DC 12V
2. Contact resistance:  $\leq 100m\Omega$
3. Travel:  $0.35 \pm 0.10mm$
4. Insulated resistance:  $\geq 100M\Omega$
5. Dielectric strength:  $\geq 250V AC/1min$
6. Endurance: 100, 000 cycles

Stergth	90 ± 30	130 ± 30	180 ± 30	250 ± 30	350 ± 50
APPROVALS	DATE	<a href="http://www.dongdudz.com">http://www.dongdudz.com</a>			
DRAW:	ZRD	2017-12-6	TOLERANCE:	ANGLE:	
CHECKED:	***	****	30°	± 0.30	± 2°
APPOVALS:	***	****	10° 30'	± 0.20	
			5° 10'	± 0.15	
			≤ 5	± 0.10	
			 <b>® 东都电子</b> DONGDU ELECTRONICS		
MODEL:		TACT SWITCHES			
PART NO:		DDU-1190			
UNIT :mm		SCALE: 1:1			
REV:		A		PAGE: 1/1	