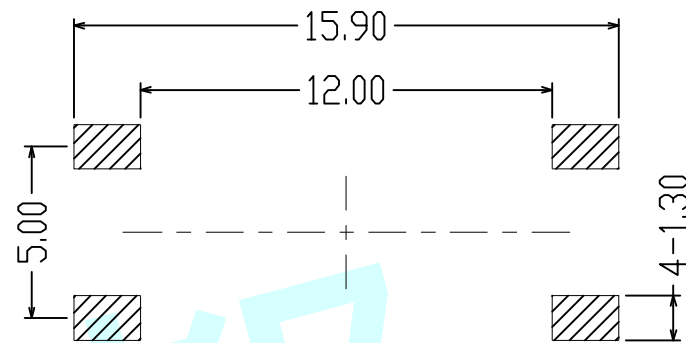
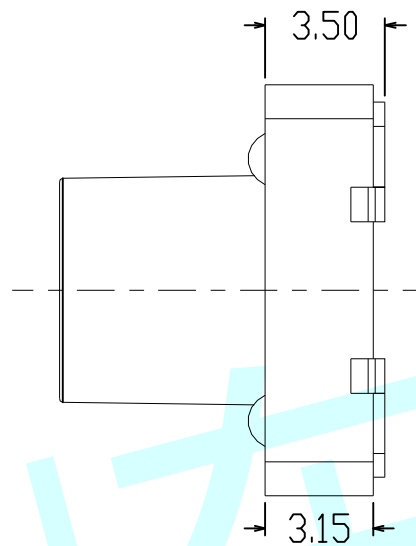
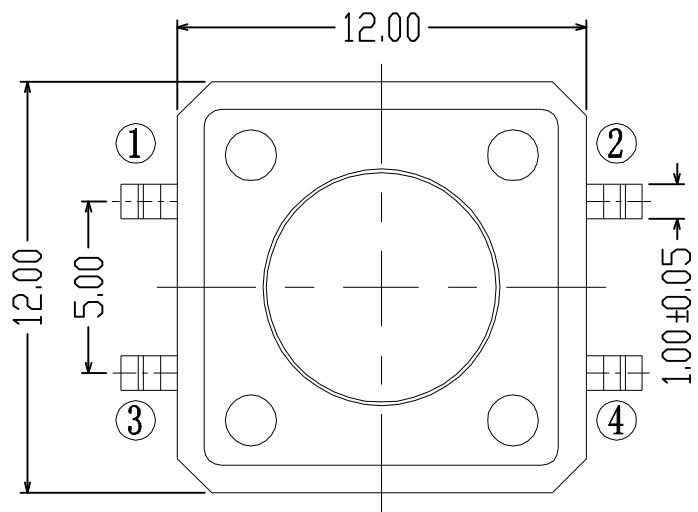


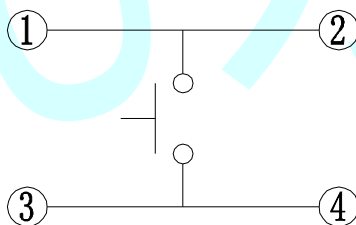
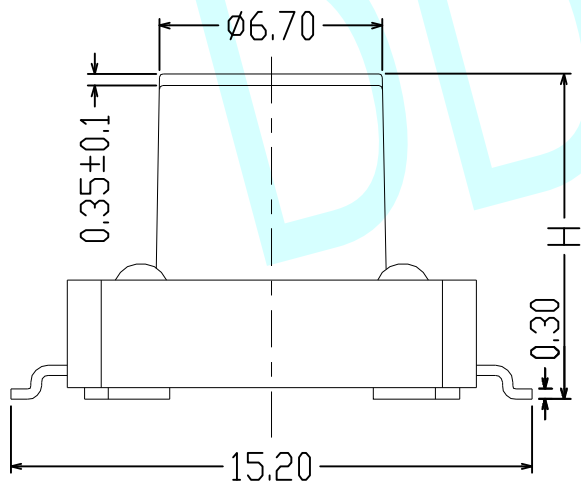
ROHS



PCB Layout (Pattern Side)


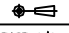
NOTES:

1. Rate voltage, current: 50mA DC 12V
2. Contact resistance: $\leq 100m\Omega$
3. Travel: $0.35 \pm 0.10mm$
4. Insulated resistance: $\geq 100M\Omega$
5. Dielectric strength: $\geq 250V AC/1min$
6. Endurance: 100, 000 cycles



Circuit Diagram

H	14.00	15.00	15.50	16.00	17.00	18.00	19.00			
	9.00	9.50	10.00	10.50	11.00	11.50	12.00	12.50	13.00	13.50
	4.30	4.50	5.00	5.50	6.00	6.50	7.00	7.50	8.00	8.50
Stergth	90±30		130±30		180±30		250±30		350±50	

APPROVALS		DATE	http://www.dongdudz.com		
DRAW:	ZRD	2017-12-6	TOLERANCE:		ANGLE:
CHECKED:	***	****	30°	±0.30	±2°
APPOVALS:	***	****	10°30	±0.20	
			5°10	±0.15	
			≤5	±0.10	
				 东都电子 DONGDU ELECTRONICS	
MODEL:		TACT SWITCHES			
PART NO:		DDU-1191S			
UNIT :mm		SCALE: 1:1			
REV:		A		PAGE: 1/1	