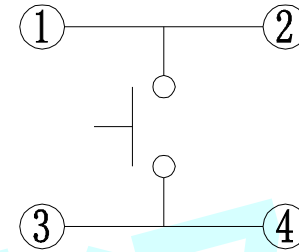
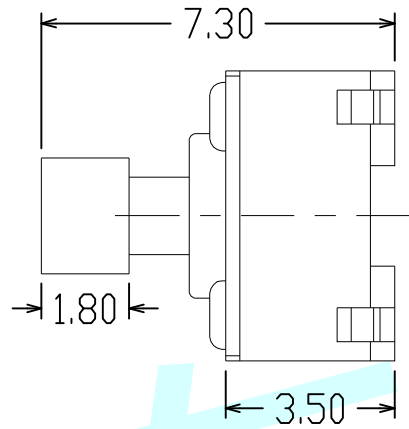
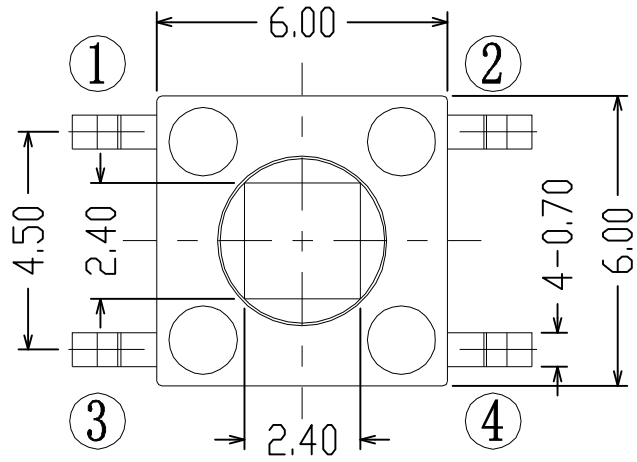


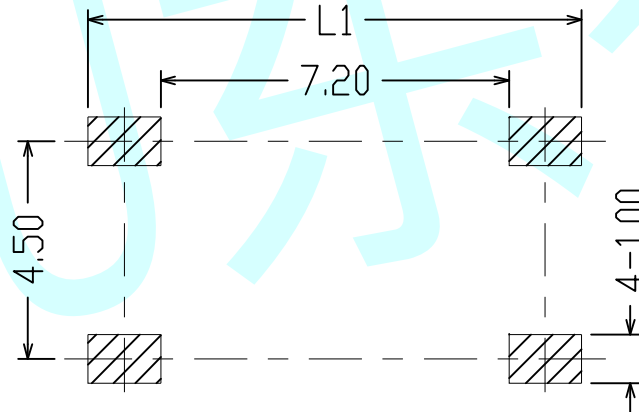
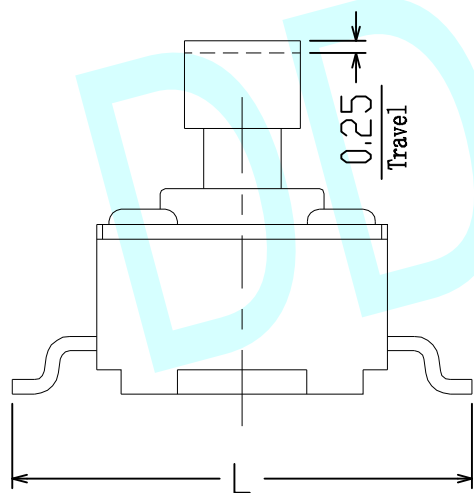
ROHS



Circuit Diagram

NOTES:

1. Rate voltage,current:50mA DC 12V
2. Contact resistance: $\leq 100m\Omega$
3. Travel: $0.25 \pm 0.10mm$
4. Insulated resistance: $\geq 100M\Omega$
5. Dielectric strength: $\geq 250V AC/1min$
6. Endurance: 100, 000 cycles



PCB Layout (Pattern Side)

L1	10.00	11.00	11.00	12.00	12.00
L	8.00	8.50	9.00	9.50	10.00
Stergth	90±30	130±30	180±30	250±30	350±50

APPROVALS		DATE	http://www.dongdudz.com		
DRAW:	ZRD	2017-12-6	TOLERANCE:	ANGLE:	
CHECKED:	***	****	30° \geq	± 0.30	$\pm 2^\circ$
APPOVALS:	***	****	10°30	± 0.20	
			5°10	± 0.15	
			≤ 5	± 0.10	
			东都电子 DONGDU ELECTRONICS		
MODEL:		TACT SWITCHES			
PART NO:		DDU-1195			
UNIT :mm	SCALE:1:1				
REV:	A			PAGE:1/1	