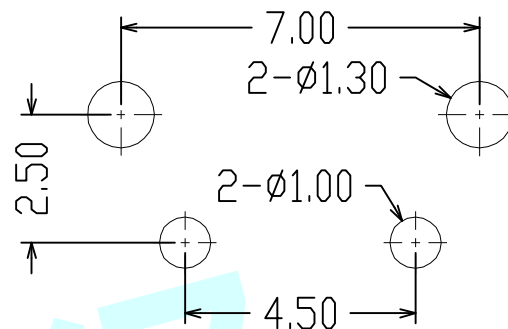
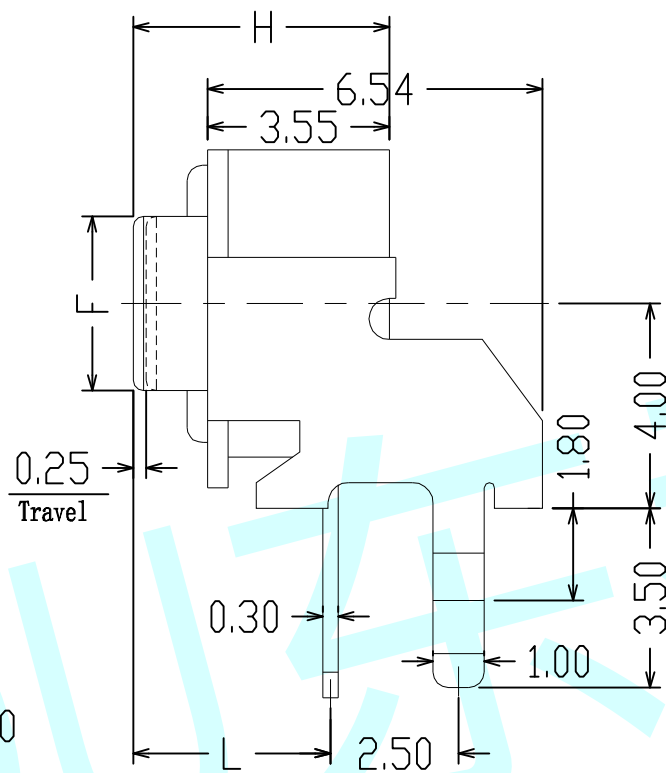
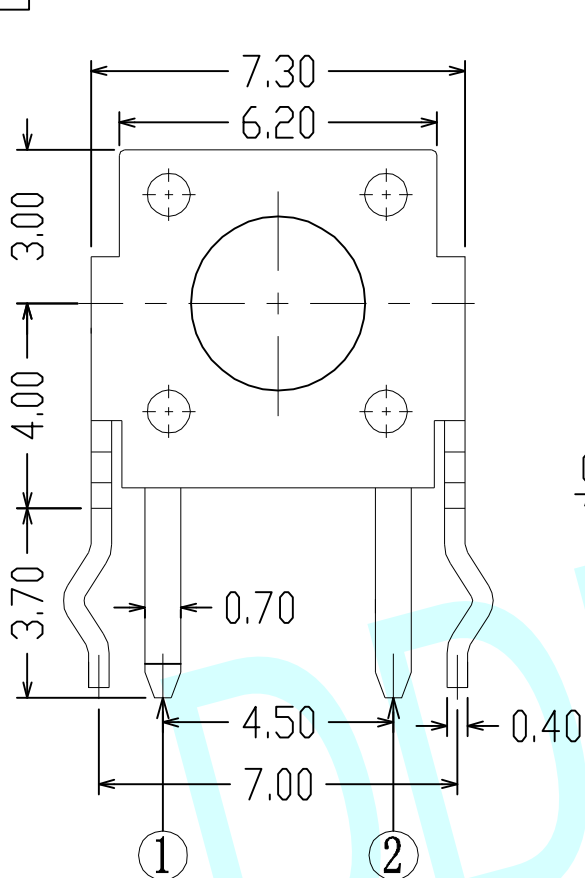
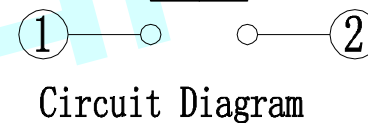


ROHS




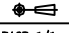
PCB Layout (Pattern Side)



Circuit Diagram

NOTES:

1. Rate voltage. current: 50mA DC 12V
2. Contact resistance: $\leq 100m\Omega$
3. Travel: $0.25 \pm 0.10mm$
4. Insulated resistance: $\geq 100M\Omega$
5. Dielectric strength: $\geq 250V AC/1min$
6. Endurance: 100, 000 cycles

F	Ø3.40	Ø3.40	Ø3.40	Ø3.20	Ø3.00	Ø3.00	Ø3.00			
L	3.15	3.85	4.85	5.85	6.85	7.85	8.35			
H	4.30	5.00	6.00	7.00	8.00	9.00	9.50			
Stergth	90±30		130±30		180±30		250±30		350±50	
APPROVALS		DATE		http://www.dongdudz.com						
DRAW:	ZRD	2017-12-6		TOLERANCE:		ANGLE:		 东都电子 DONGDU ELECTRONICS		
CHECKED:	***	****		30≥	±0.30	±2°				
APPOVALS:	***	****	10°30	±0.20						
			5°10	±0.15						
			≤5	±0.10	MODEL:	TACT SWITCHES				
					PART NO:	DDU-2022				
					UNIT :mm	SCALE:1:1				
					REV:	A	PAGE:1/1			