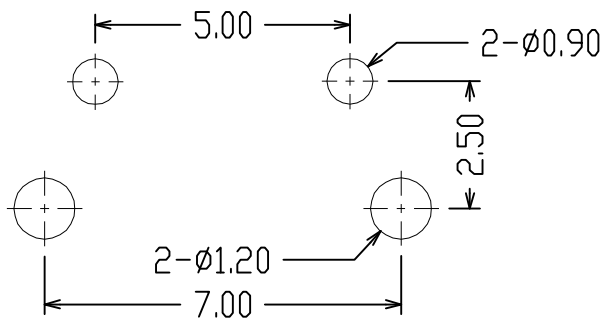
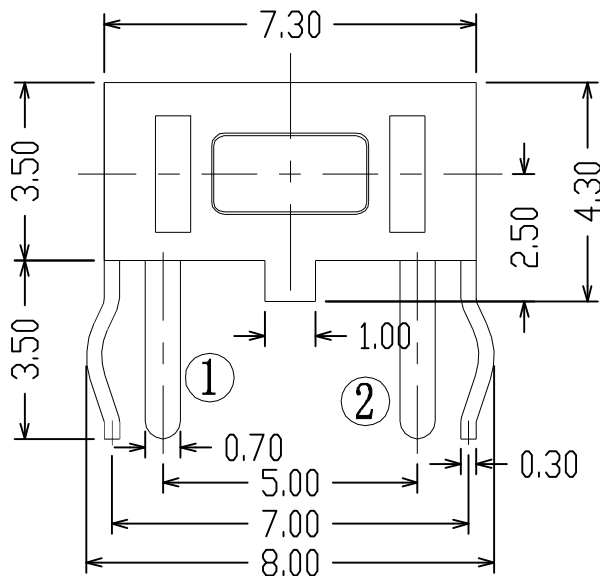
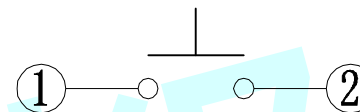


**ROHS**



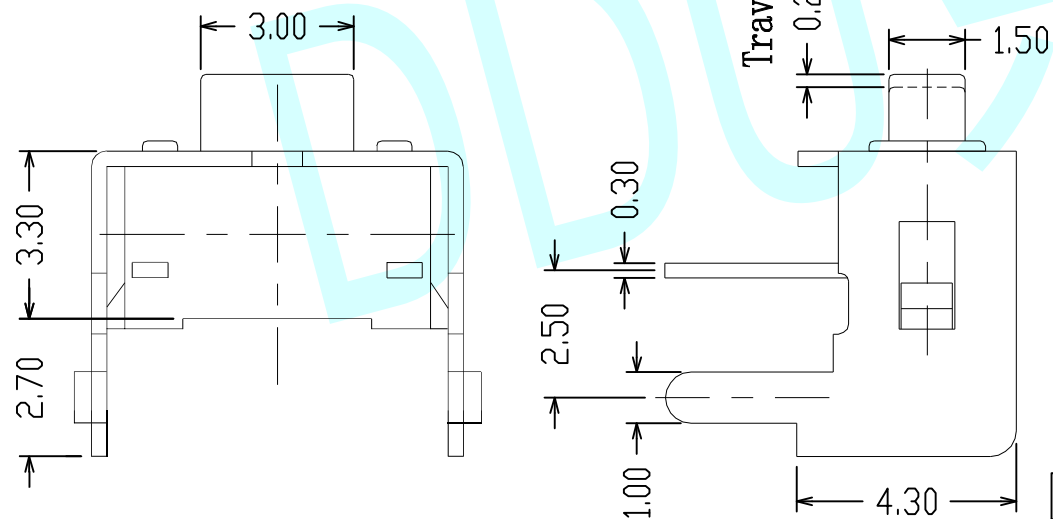
PCB Layout (Pattern Side)



Circuit Diagram

**NOTES:**


1. Rate voltage. current: 50mA DC 12V
2. Contact resistance:  $\leq 100m\Omega$
3. Travel:  $0.25 \pm 0.10mm$
4. Insulated resistance:  $\geq 100M\Omega$
5. Dielectric strength:  $\geq 250V AC/1min$
6. Endurance: 100, 000 cycles



	H	3.15	3.85
Stergth	90±30	130±30	180±30
	250±30	350±50	

APPROVALS		DATE	http://www.dongdudz.com	
DRAW:	ZRD	2017-12-6	TOLERANCE:	ANGLE:
CHECKED:	***	****	30° $\geq$	$\pm 2^\circ$
APPOVALS:	***	****	10°30	
			5°10	
			$\leq 5$	

 <b>东都电子</b> DONGDU ELECTRONICS	
MODEL:	TACT SWITCHES
PART NO:	DDU-2029
UNIT :mm	SCALE: 1:1
REV:	A
	PAGE: 1/1