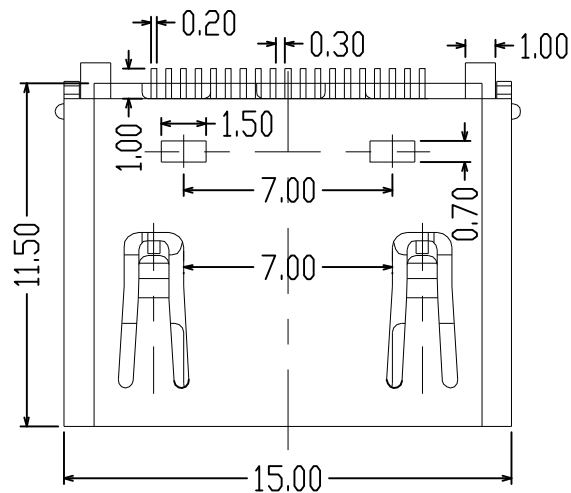


ROHS



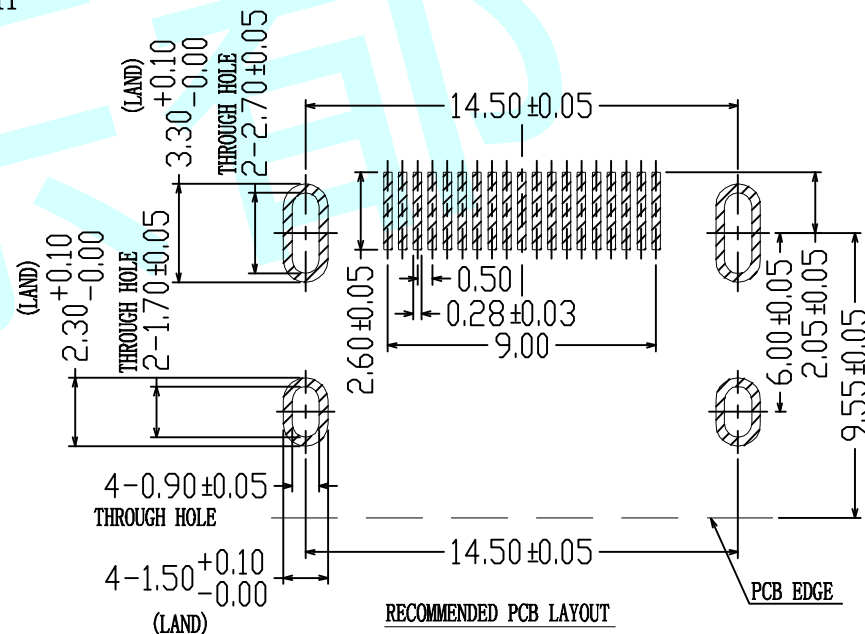
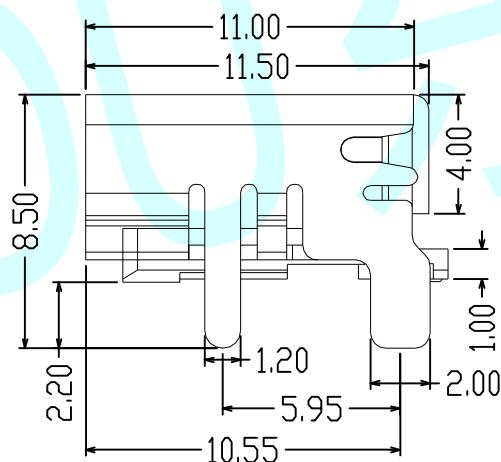
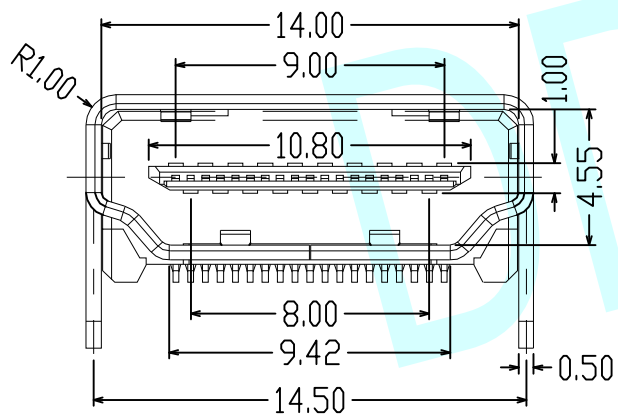
NOTES:


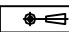
A. Material:

1. Housing: High Temperature Thermoplastic
2. Contact: Copper Alloy, T=0.20mm
3. Shell: Copper Alloy, T=0.50mm, Matte Surface

B. Plating:

1. Contact:
 - 1U" Gold Plating ON Contact Area And Matte Tin 50U" ON Solder Area
 - Over 50U" Nickel Underplating
2. Shell: 50U" MIN. Nickel Plating Over All



APPROVALS		DATE	http://www.dongdudz.com	
DRAW:	ZRD	2017-12-6	TOLERANCE:	ANGLE:
CHECKED:	***	***	30 [≥]	±2°
APPOVALS:	***	***	10 [~] 30	
			5 [~] 10	
			≤5	
			 ® 东都电子 DONGDU ELECTRONICS	
MODEL:		USB CONNECTOR		
PART NO:		HDMI-19P		
UNIT :mm	SCALE: 1:1			
REV:	A	PAGE: 1/1		