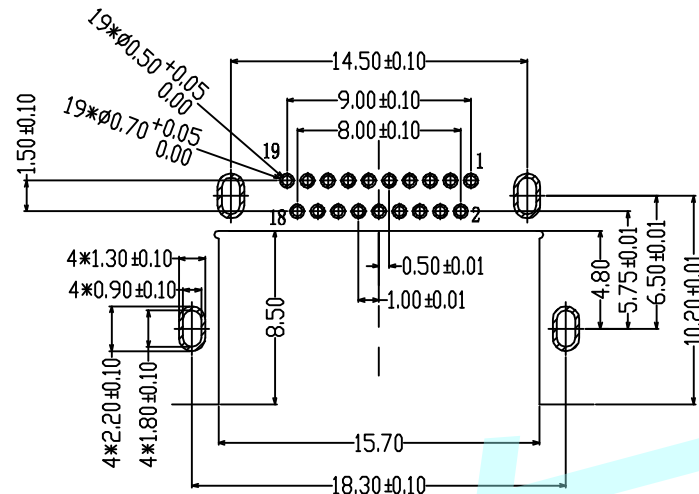
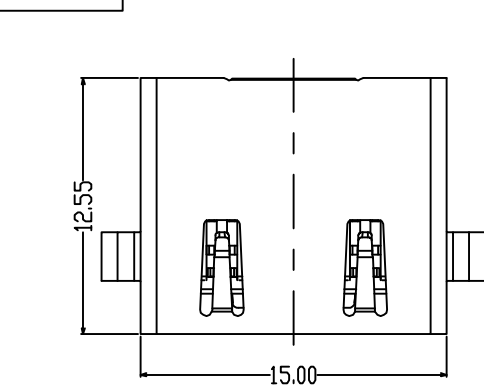


ROHS



SPECIFICATIONS:

1. ELECTRICAL CHARACTERISTICS

- 1-1. CURRENT RATING: 0.5A
- 1-2. VOLTAGE RATING: 40V
- 1-3. CONTACT RESISTANCE: 30mΩ MAX
- 1-4. INSULATION RESISTANCE: 100MΩ MIN. @500V DC
- 1-5. DIELECTRIC WITHSTANDING VOLTAGE: 500V AC FOR 1 MINUTE

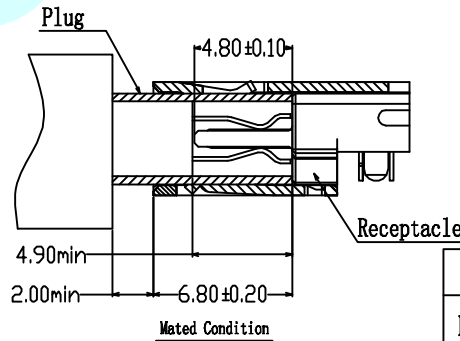
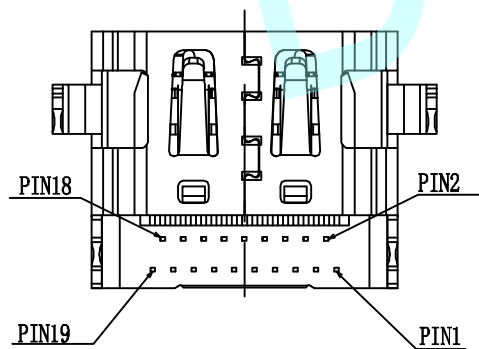
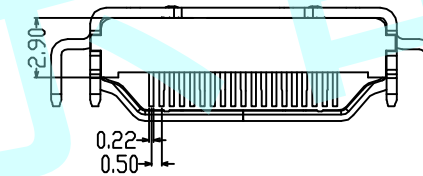
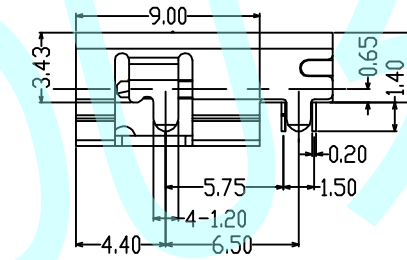
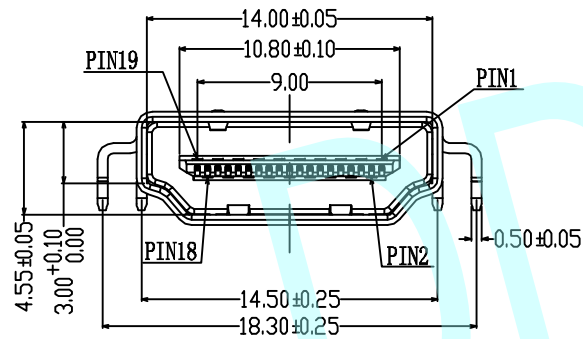
2. MECHANICAL CHARACTERISTICS:

- 2-1. INSERTION FORCE : 4.5KGF MAX.
- 2-2. WITHDRAWING FORCE : 1KGF ~ 4KGF.

3. LIFE TEST: 10000 CYCLES

4. OPERATING TEMPERATURE: -25° C TO +85° C

PCB LAYOUT (T=1.00mm)
COMPONENT SIDE



C	SHELL	1	S50C NI T=0.5MM, 50u"MIN. NICEL ALL OVER
B	TERMINAL	19	C2680R-H SEE PART NO.
A	HOUSING	1	LCP E130i UL94V-0 BLACK
NO	PART NAME	QTY	MATERIAL PLATING & COLOR

APPROVALS		DATE	http://www.dongdudz.com	
DRAW:	ZRD	2017-12-6	TOLERANCE:	ANGLE:
CHECKED:	***	***	30≥ ±0.30	±2°
APPOVALS:	***	***	10~30 ±0.20	
			5~10 ±0.15	
			≤5 ±0.10	



MODEL:	USB CONNECTOR	
PART NO:	HDMI-19P-60C	
UNIT :mm	SCALE:1:1	⊕
REV:	A	PAGE:1/1