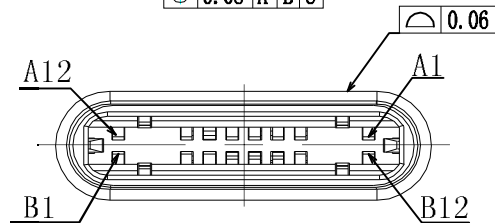
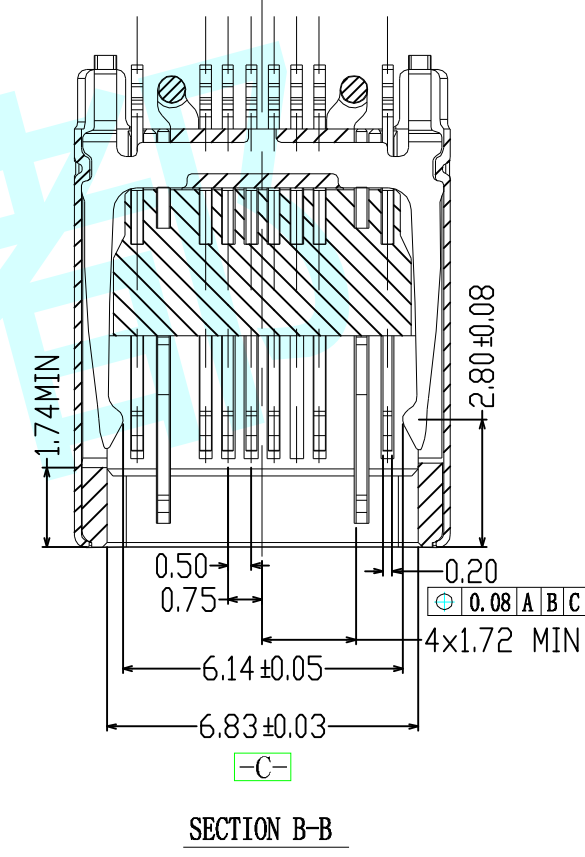
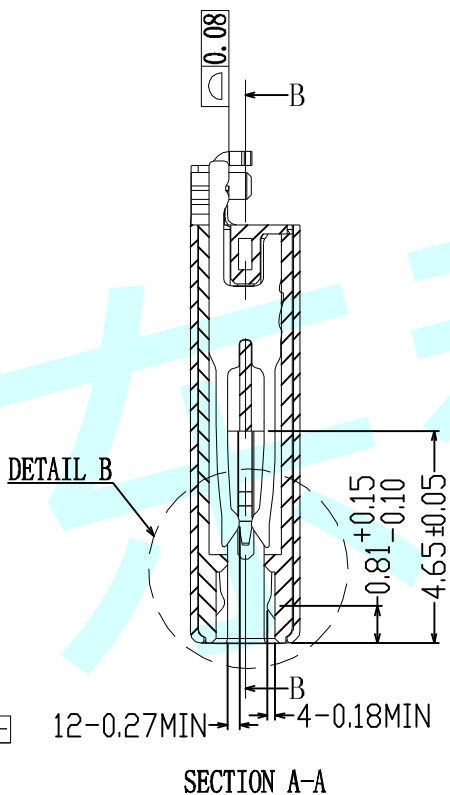
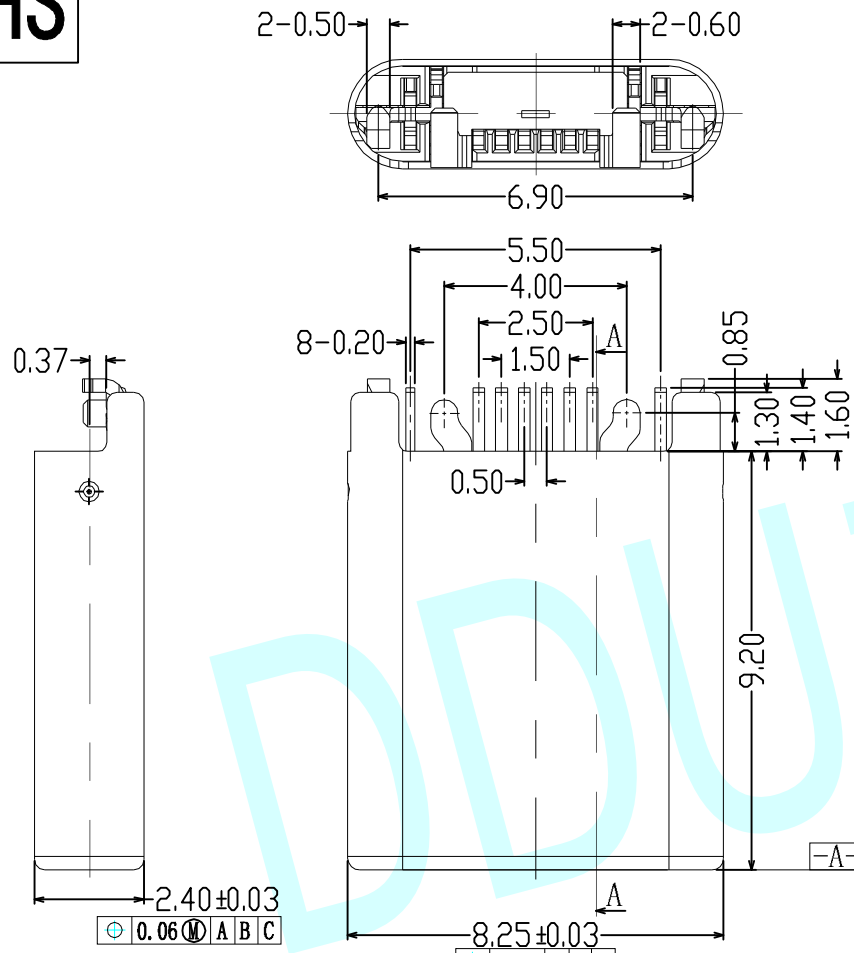



ROHS



A12	A11	A10	A9	A8	A7	A6	A5	A4	A3	A2	A1
GND			VBUS	SBU1	D-	D+		VBUS			GND
GND			VBUS	CC2				VBUS			GND
B1	B2	B3	B4	B5	B6	B7	B8	B9	B10	B11	B12

APPROVALS		DATE	http://www.dongdudz.com	
DRAW:	ZRD	2017-12-6	TOLERANCE:	ANGLE:
CHECKED:	***	***	30° ≥ ±0.30	±2°
APPOVALS:	***	***	10°30 ±0.20	
			5°10 ±0.15	
			≤5 ±0.10	

 **东都电子**  
DONGDU ELECTRONICS

MODEL: USB CONNECTOR  
PART NO: TYPE: C-2.0-CP-GP  
UNIT :mm SCALE:1:1  
REV: A PAGE:1/1