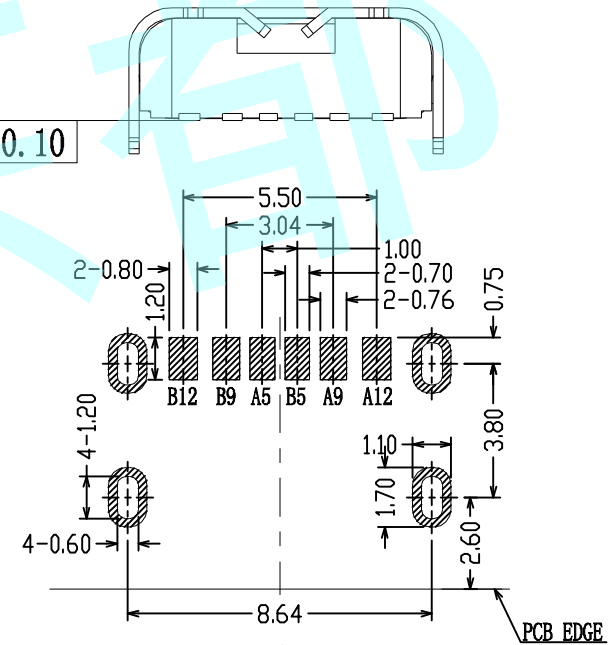
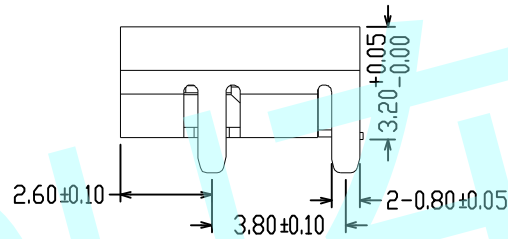
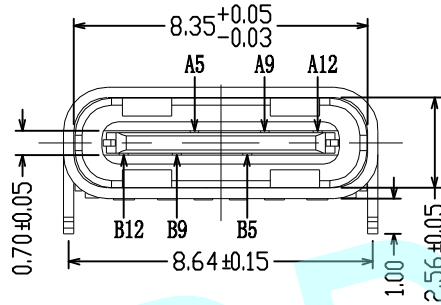
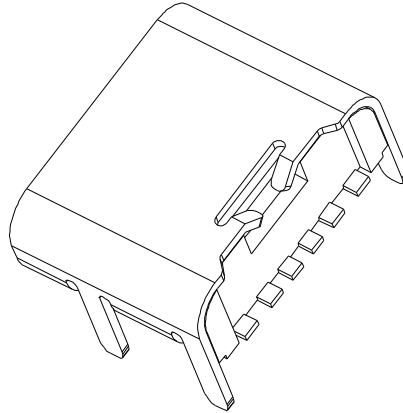
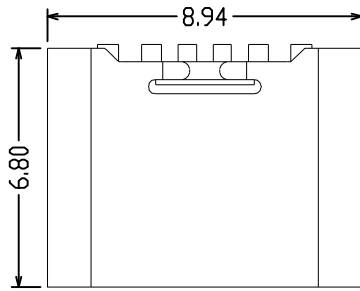
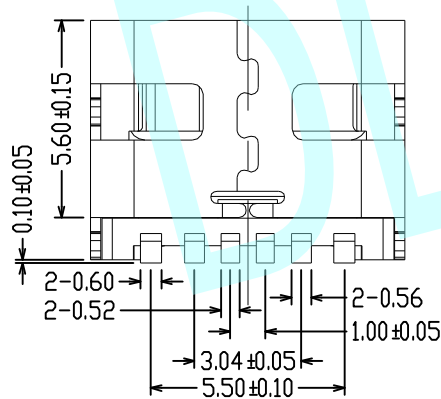


ROHS



NOTE:

1. Current rating: 3.0A MAX
2. Voltage: 100V AC
3. Temperature range: -30°C ~ +85°C
4. Contact resistance: 40mΩ max
5. Insertion Resistance: 100MΩ min
6. Insertion force: 5~20N
7. Unmating force: 8~20N
8. Durability: 10000 cycles



PCB LAYOUT



A5	CC1	B12	GND
A9	VBUS	B9	VBUS
A12	GND	B5	CC2
PIN	SIGNAL NAME	PIN	SIGNAL NAME

APPROVALS		DATE	http://www.dongdudz.com	
DRAW:	ZRD	2017-12-6	TOLERANCE:	ANGLE:
CHECKED:	***	***	30 ≥ ±0.30	±2°
APPOVALS:	***	***	10~30 ±0.20	
			5~10 ±0.15	
			≤5 ±0.10	

MODL:	USB CONNECTOR	
PART NO:	TYPE: C-3.1-6P	
UNIT :mm	SCALE: 1:1	☞
REV:	A	PAGE: 1/1