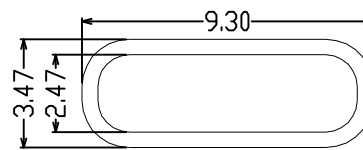
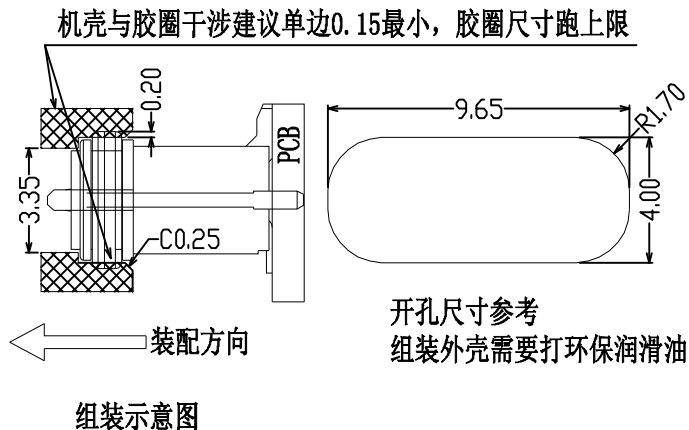
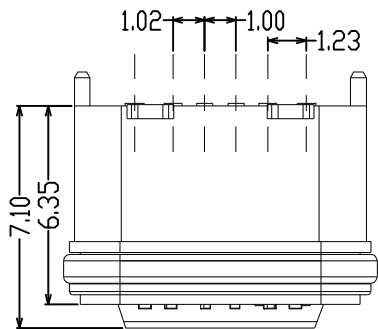
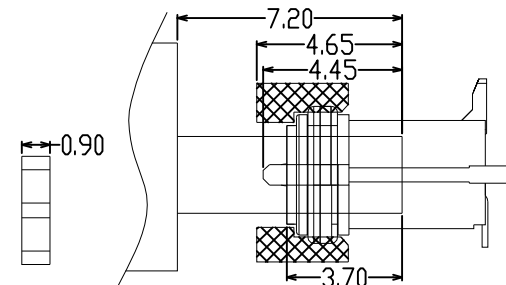


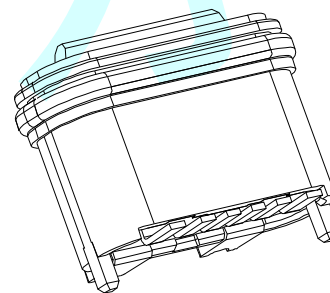
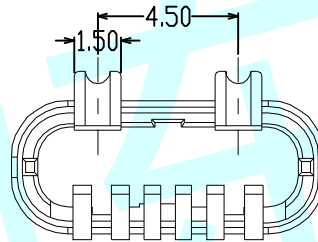
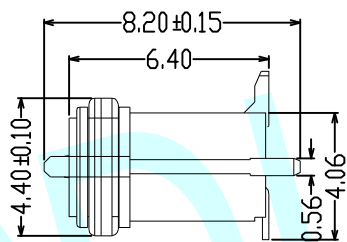
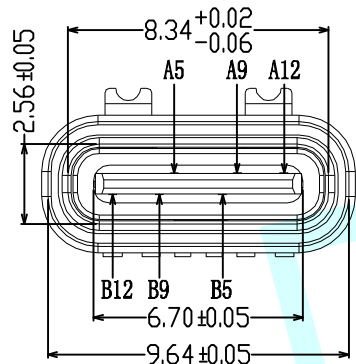
ROHS



胶圈使用尺寸参考图

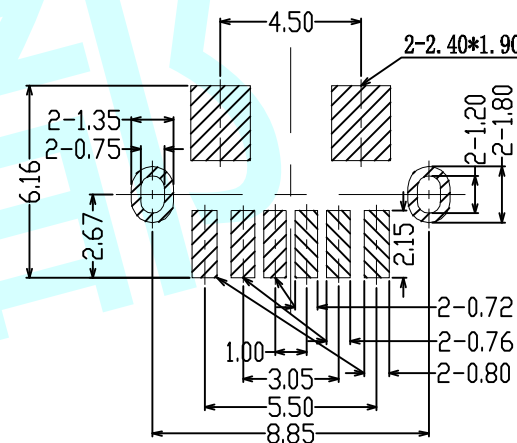
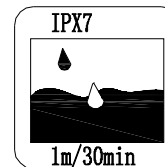


PLUG插入深度参考图




NOTES:

- A. Electrical:**
- Current rating:
Vbus and gnd contacts rated at 1.25A
Paralleled for a total of 5A
 - Initial contact resistance: 40mΩ
 - Dielectric withstanding voltage: 100V AC min
- B. Material:**
- Housing: LCP
 - Contact: C7025, T=0.20mm
 - Shell: SUS316
- C. Mechanical characteristics:**
- Mating force: 5~20N
 - Unmating force: 8~20N (Initial)
6~20N (After 10000 cycles)
 - Frequency: 200±50g cycles/hour, 10000 cycles
 - Operating temperature: -40℃~+80℃



PCB LAYOUT

A5	CC1	B12	GND
A9	VBUS	B9	VBUS
A12	GND	B5	CC2
Pin No.	Signal Name	Pin No.	Signal Name

APPROVALS		DATE	http://www.dongdudz.com		 东都电子 DONGDU ELECTRONICS
DRAW:	ZRD	2017-12-6	TOLERANCE:	ANGLE:	
CHECKED:	***	***	30° ≥ ±0.30	±2°	
APPOVALS:	***	***	10°~30 ±0.20		
			5°~10 ±0.15		
			≤5 ±0.10		MODEL: USB CONNECTOR PART NO: TYPE: C-6P-LT-IP UNIT :mm SCALE: 1:1 REV: A PAGE: 1/2