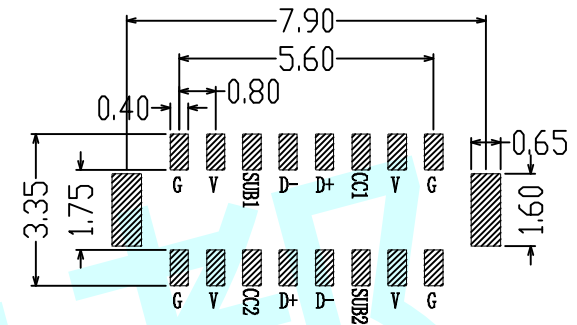
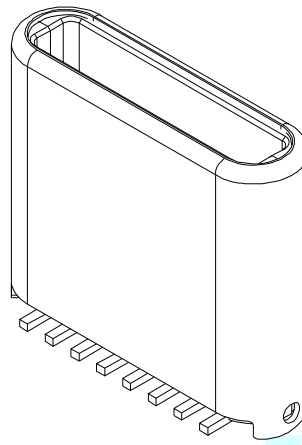
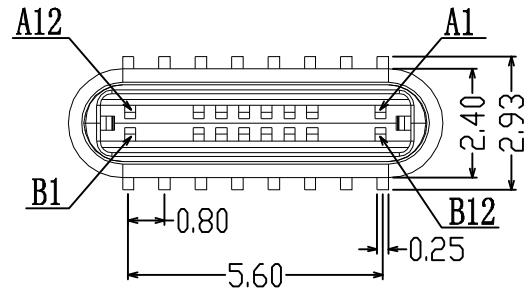
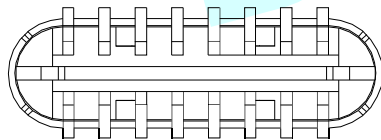
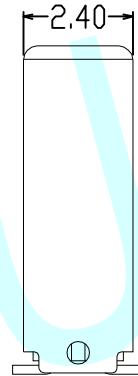
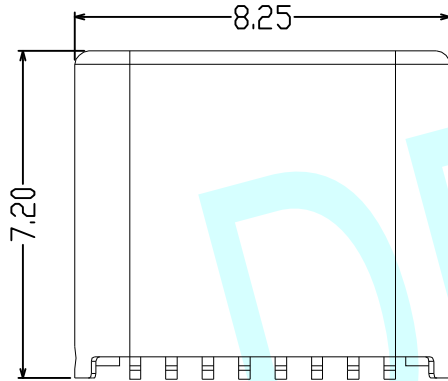


ROHS



RECOMMENDED PCB LAYOUT
TOLERANCE UNSPECIFIED: $\pm 0.05\text{mm}$



NOTES:

A. Electrical:

1. Current:3A
2. Contact resistance:40mΩ MAX
3. Dielectric withstanding voltage:200V AC
4. Insulation resistance:100MΩ MIN

B. Mechanical:

1. Mating force:5~20N
2. Withdrawal force:5~20N
3. Durbility:10000 cycles

C. Environmental:

1. Temperture range:-40~+105℃
2. Salt testing:48H

NO.	DESCRIPTION	MATERIAL	COLOR	REMARK
4	PLASTIC	HIGH TEMP	BLACK/WHITE	UL94V-0
3	LATCH	STAINLESS STEEL	——	Ni Plated
2	TERMINAL	COPPER ALLOY	——	Gold Plated
1	SHELL	STAINLESS STEEL	——	Ni Plated

APPROVALS		DATE	http://www.dongdudz.com	
DRAW:	ZRD	2017-12-6	TOLERANCE:	ANGLE:
CHECKED:	***	***	30 \geq	± 0.30
APPOVALS:	***	***	10 \sim 30	± 0.20
			5 \sim 10	± 0.15
			≤ 5	± 0.10
			$\pm 2^\circ$	



MODEL:	USB CONNECTOR	
PART NO:	TYPE. C-16P-SMT	
UNIT :mm	SCALE:1:1	
REV:	A	PAGE:1/1