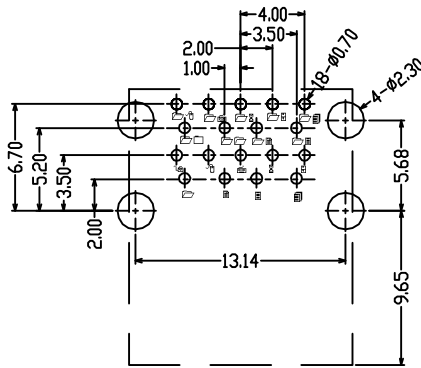
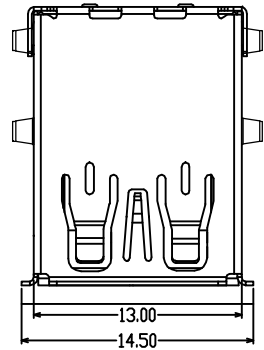
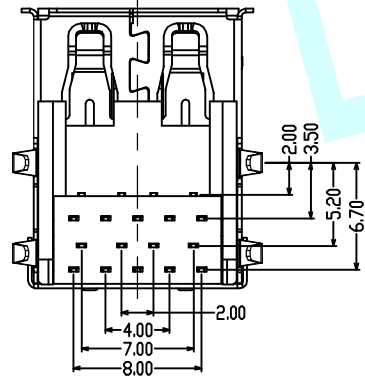
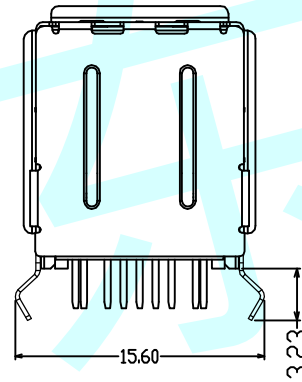
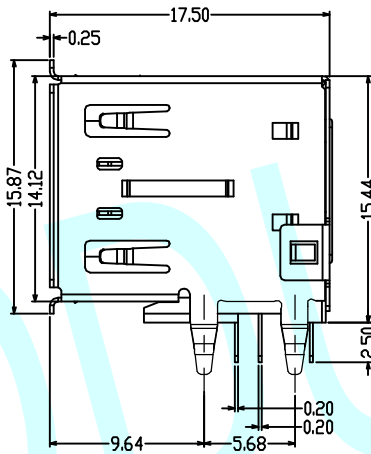
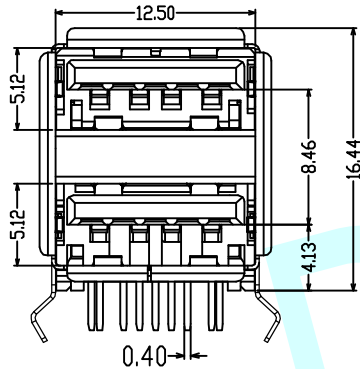


ROHS



RECOMMENDED P. C. B HOLE LAYOUT
TOP VIEW (TOLERANCE: ± 0.05)



NOTE:

***MATERIAL**

HOUSING: PBT 300C UL 94V-0;

CONTACT: BRASS UNDER PLATED 50 μ Ni ALL OVER MIN

80 μ Matte TIN. PLATED AU G/F IN CONTACT AREA

SHELL: SPCC UNDER PLATED 50 μ Ni

SPRING TERMINAL: STAINLESS STEEL

NOTES:

1. 0. ELECTRICAL CHARACTERISTIC:

1. 1. LOW LEVEL CONTACT RESISTANCE: INITIAL: 30m Ω MAXIMUM
FOR POWER AND GROUND CONTACTS.
INITIAL: 50m Ω MAXIMUM
FOR ALL OTHER CONTACTS.
AFTER: 10m Ω MAX I MUM CHANGE.

1. 2. DIELECTRIC WITHSTANDING VOLTAGE: 100V AC FOR ONE MINUTE AT SEA LEVEL.


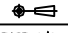
1. 3. INSULATION RESISTANCE: 100M Ω MINIMUM.

2. 0. MECHANICAL CHARACTERISTIC:

2. 1. INSERTION FORCE: 35N (3.57kgf) MAXIMUM.

2. 2. EXTRACTION FORCE: INITIAL: 10N (1.02kgf) MINIMUM.

AFTER: 8N (0.816kgf) MINIMUM.

APPROVALS		DATE	http://www.dongdudz.com	
DRAW:	ZRD	2017-12-6	TOLERANCE:	ANGLE:
CHECKED:	***	***	30 \geq	$\pm 2^\circ$
APPOVALS:	***	***	10 \sim 30	
			5 \sim 10	
			≤ 5	
			 ® 东都电子 DONGDU ELECTRONICS	
		MODEL:	USB CONNECTOR	
		PART NO:	USB-3.0-S	
		UNIT :mm	SCALE: 1:1	
		REV:	A	PAGE: 1/1