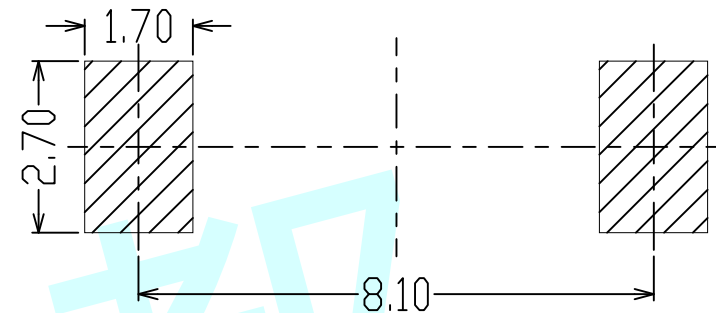
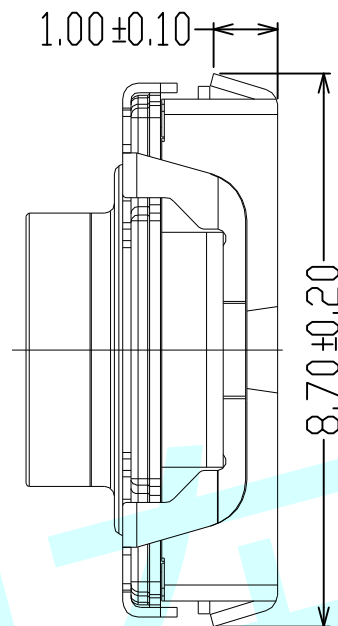
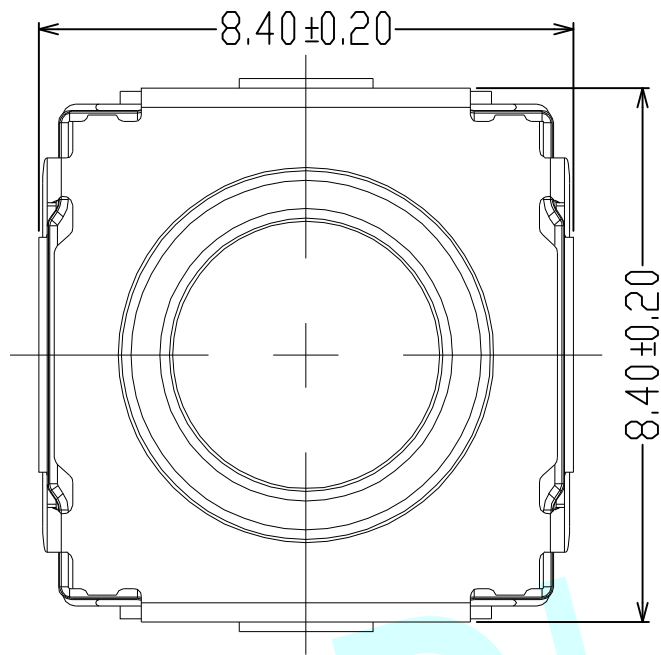
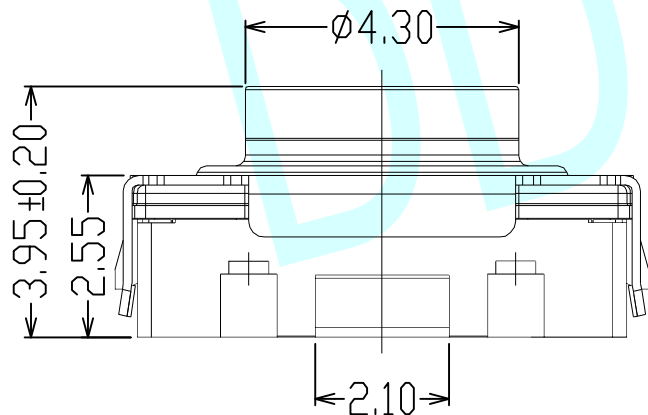


ROHS

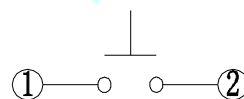


PCN LAND DIMENSION




NOTES:

1. Rating: DC 16V 50mA Max
2. Contact resistance: 100mΩ MAX
3. Insulation resistance: 100MΩ MIN
4. Dielectric strength: 250V AC/min
5. Operating life: 500,000 cycles



CIRCUIT DIAGRAM

APPROVALS		DATE	http://www.dongdudz.com		 ® 东都电子 DONGDU ELECTRONICS
DRAW:	ZRD	2017-12-6	TOLERANCE:	ANGLE:	
CHECKED:	***	****	30° ≥ ±0.30	±2°	
APPOVALS:	***	****	10°~30 ±0.20		
			5°~10 ±0.15		
			≤5 ±0.10		
MODEL:	TACT SWITCHES				
PART NO:	DDU-13030				
UNIT :mm	SCALE: 1:1				
REV:	A				PAGE: 1/1