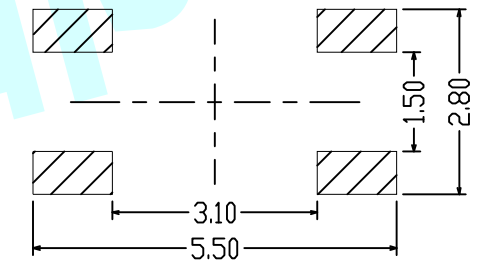
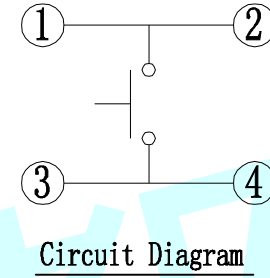
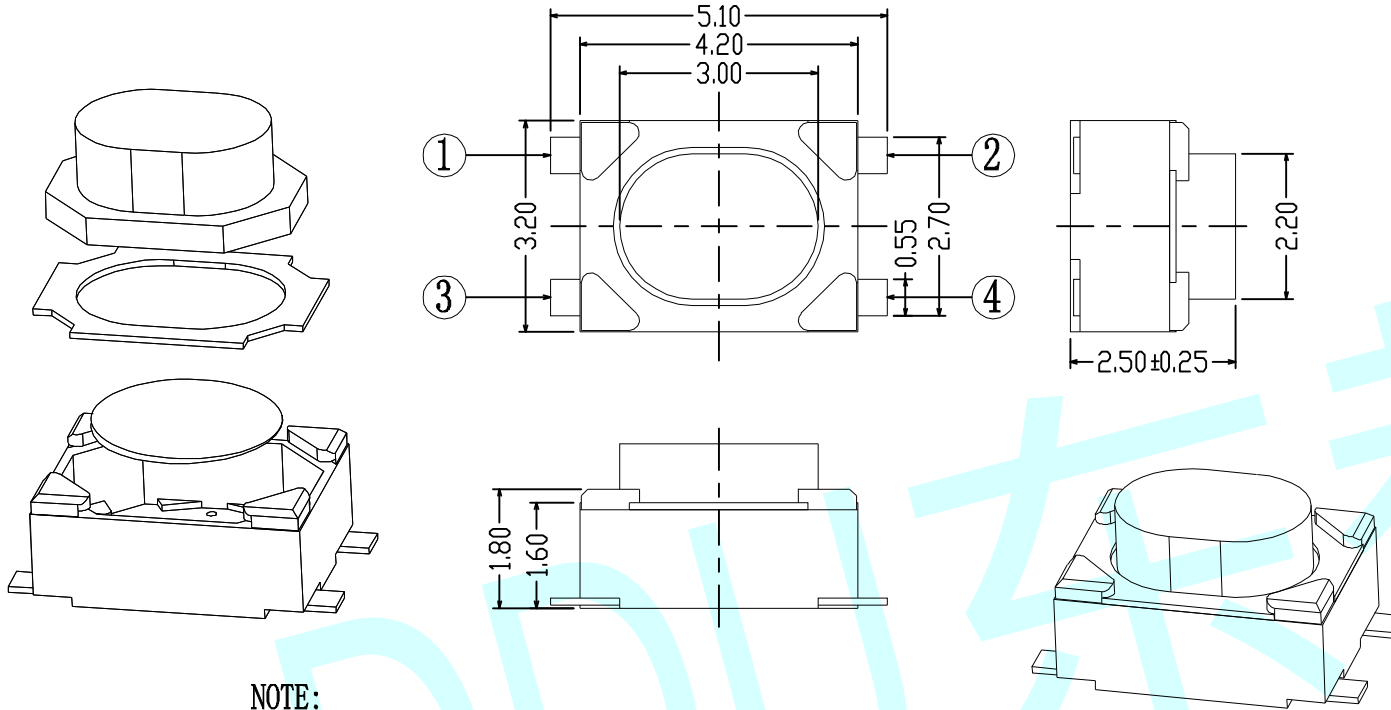


ROHS



- NOTE:**
1. Rating: 50mA DC 12V
 2. Contact resistance: $\leq 100m\Omega$
 3. Insulation resistance: $\geq 100M\Omega$
 4. Trip: $0.20 \pm 0.05mm$
 5. Operating force: $250 \pm 50gf$
 6. Electrical strength: 250V 50Hz 1Min
 7. Life: 50,000 cycles

- Material Science:**
1. Seat: LCP (White)
 2. Button: PPA (White)
 3. Card: C5240 (Silver plating)
 4. Shrapnel: SUS
 5. Cover: C5240 (Silver plating)

APPROVALS		DATE	http://www.dongdudz.com	
DRAW:	ZRD	2017-12-6	TOLERANCE:	ANGLE:
CHECKED:	***	****	30° \geq ± 0.30	$\pm 2^\circ$
APPOVALS:	***	****	10°30' ± 0.20	
			5°10' ± 0.15	
			≤ 5 ± 0.10	
		® 东都电子 DONGDU ELECTRONICS		
MODEL:		TACT SWITCHES		
PART NO:		DDU-1164SS		
UNIT :mm	SCALE: 1:1			
REV:	A	PAGE: 1/1		