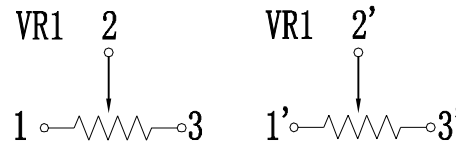
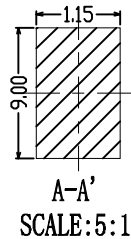
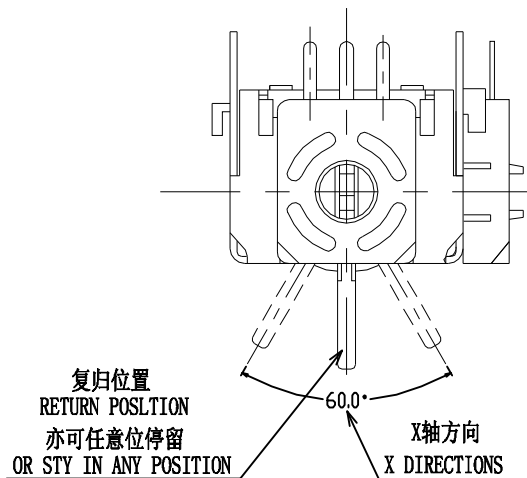
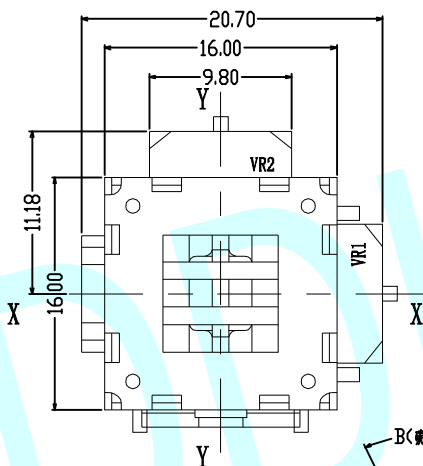


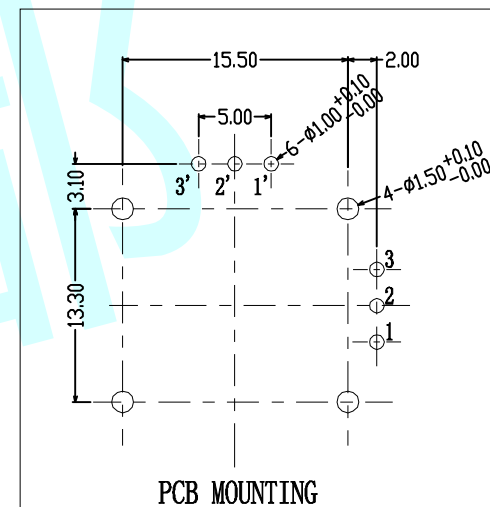
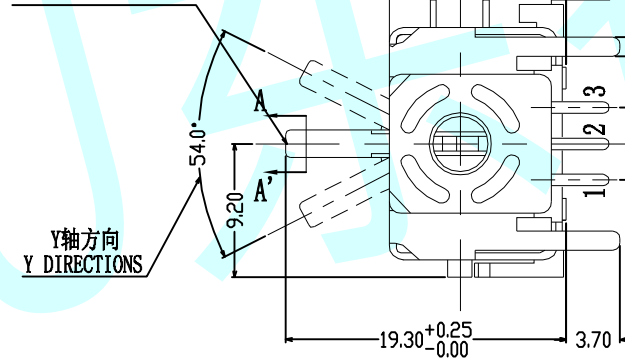
ROHS



CIRCUIT

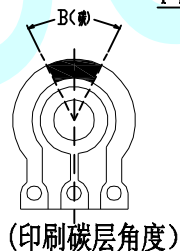


复归位置
RETURN POSITION
亦可任意位停留
OR STY IN ANY POSITION



NOTES:

1. Rating:DC 12V 100mA
2. Contact resistance: 100mΩ MAX
3. Insulation resistance: 100MΩ MIN
4. Service life: 1,000,000 cycles
5. Operating temperature: -25 °C~+85 °C
6. Using humidity: ≤85% RH
7. Operating power: 160/220/250±50gf



(EL CARBON LAYER ANGLE)

B	32°	35°	38°	40°	45°	50°	53°	60°
中间银	8°	8°	6°	8°	6°	10°	6°	6°
					■			

TOLERANCES UNLESS OTHERWISE SPEC

BASIC DIMENSIONS	TOLERANCE
L≤10	±0.30
10<L≤100	±0.50
100<L	±0.80
ANGULAR DIMENSION	±5°

APPROVALS		DATE	http://www.dongdudz.com	
DRAW:	ZRD	2017-12-6	TOLERANCE:	ANGLE:
CHECKED:	***	****	30≥	±0.30
APPOVALS:	***	****	10°30	±0.20
			5°10	±0.15
			≤5	±0.10

® 东都电子
DONGDU ELECTRONICS

MODL: ROCKER SWITCH

PART NO: DDU-306367

UNIT :mm SCALE:1:1

REV: A PAGE:1/1