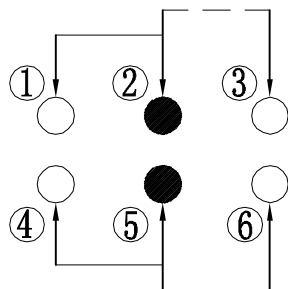
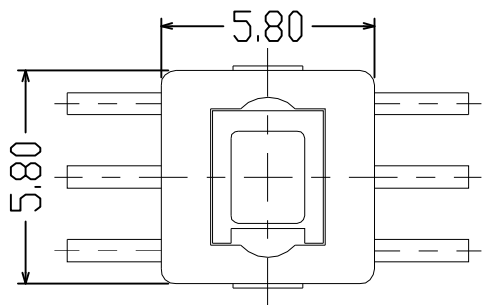
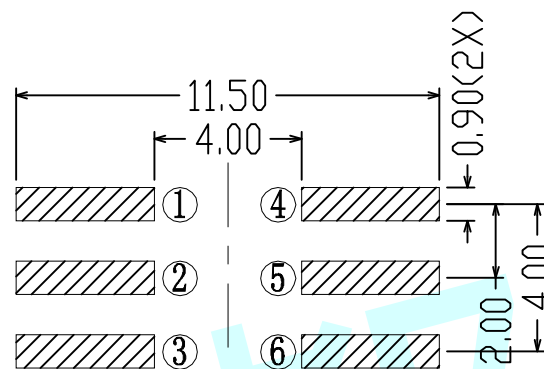


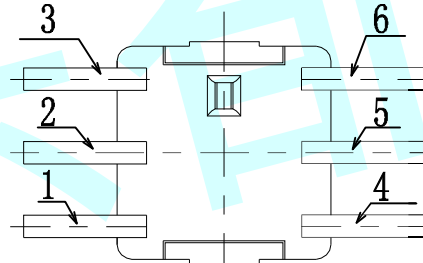
ROHS



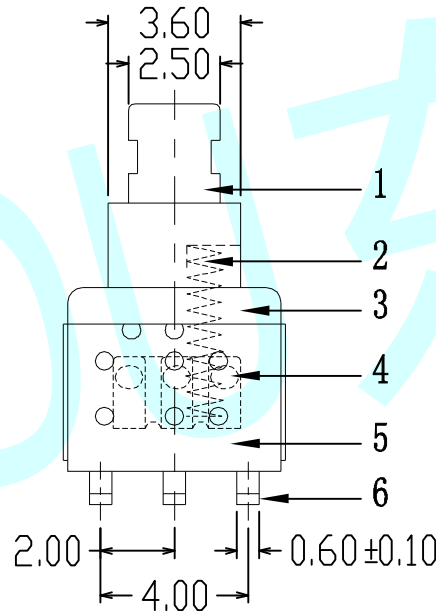
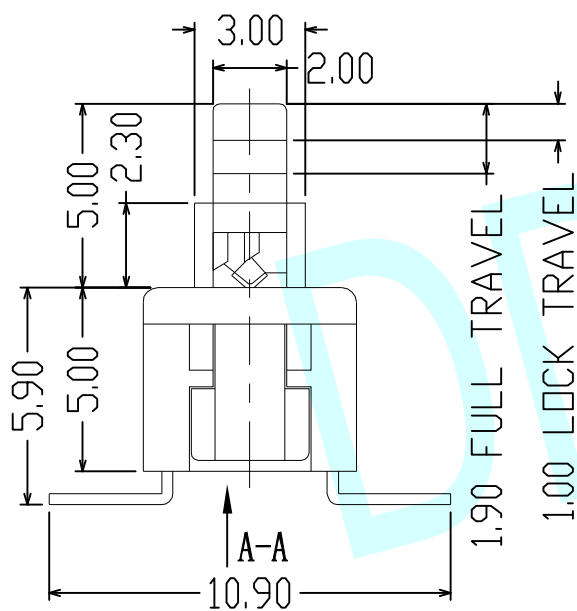
SCHEMATIC



PCB LAYOUT (TOP VIEW)





A-A VIEW



NOTE:

1. Rated current: DC 30V 0.1A
2. Contact resistance: 100mΩ max
3. Insulation resistance: 100mΩ min
4. Operation force: 180±50KGF, 250±50KGF, 300±50KGF
5. Life: 10,000 cycles, 50,000cycles, 100,000cycles

6	TERMINAL	BRASS	6	Ag COATING
5	CASE	PA66	1	GRAY
4	CONTACT	C5210R-EH	2	Ag CLAD
3	COVER	POM	1	BLACK
2	SPRING	SUS	1	NATURAL
1	KNOB	POM	1	WHITE
NO.	PART NAME	MATERIAL	QTY	FINISHING

APPROVALS		DATE	http://www.dongdudz.com	
DRAW:	ZRD	2017-12-6	TOLERANCE:	ANGLE:
CHECKED:	***	***	30≥	±0.30
APPOVALS:	***	***	10°30	±0.20
			5°10	±0.15
			≤5	±0.10
			±2°	
		 ® 东都电子 DONGDU ELECTRONICS		1
MODEL:		PUSHBUTTON SWITCHES		
PART NO:		DDU-1313-W-T		
UNIT :mm	SCALE:1:1			
REV:	A	PAGE:1/1		